

H 7264 BP

Oven

seamless design with clear text, networking & pyrolytic cleaning.



- Clear text display with sensor controls – DirectSensor S
- Minimal cleaning effort – Pyrolytic cleaning
- Especially light dough and nicely browned crusts – Moisture plus
- Network-enabled WiFi appliance – Miele@home
- Achieve perfect results with ease – automatic programmes

A+

EAN: 4002516156819 / Material number: 11093500 / Old Material Number: 22726445GB

Construction type and design	
Built-in oven	•
PureLine	•
Appliance Colour	Stainless steel/Clean Steel
Convenience features	
Rapid heat-up	•
Operating modes	
Defrosting	•
Automatic programmes	•
Auto roast	•
Eco fan heat	•
Grill operating modes	•
Grill	•
Fan plus	•
Intensive bake	•
Moisture plus	•
Moisture plus with Fan plus	•
Conventional heat	•
Bottom heat	•
Fan grill	•
User convenience	
Networking with Miele@home	•
Display	DirectSensor S
SoftOpen	•
SoftClose	•
MultiLingua	•
Individual settings	•
Timer functions	•
Time of day display	•
Clock synchronisation	•
Minute minder	•
Programmable start of cooking duration	•
Programmable end of cooking duration	•
Programmable cooking duration	•
Actual temperature display	•
Target temperature display	•
Buzzer when desired temperature is reached	•
Recommended temperature	•
Efficiency and sustainability	
Energy efficiency class (A+++ – D)	A+
Power rating in off mode in W	0.5
Power rating in standby mode in W	1.0
Power rating in networked standby in W	2.0
Time until automatic switch to standby in min	20
Time until automatic switch to networked standby in min	20
Time until automatic switch to off mode in min	20
Cleaning convenience	
Stainless steel/CleanSteel finish	•
Pyrolytic self-cleaning	•
Catalyser	•

H 7264 BP

Oven

seamless design with clear text, networking & pyrolytic cleaning.



EAN: 4002516156819 / Material number: 11093500 / Old Material Number: 22726445GB

Hinged grill element	•
CleanGlass door	•
Safety	
Appliance cooling system and touch-cool front	•
Safety switch-off	•
System lock	•
Door lock during pyrolytic cleaning	•
Technical data	
Oven compartment volume in l	76
No. of shelf levels	5
Number of shelf levels oven compartment 1	5
Number of shelf levels oven compartment 2	5
Numbered shelf levels	•
Oven light	1 halogen spot
Electronic temperature regulation min. in °C	30
Electronic temperature regulation max. in °C	300
Niche width min. in mm	560
Niche width max. in mm	568
Niche height min. in mm	590
Niche height max. in mm	595
Niche depth in mm	550
Appliance width in mm	595
Appliance height in mm	596
Electronic steam oven temperature regulation min. in °C	30–300
Appliance depth in mm	569
Weight in kg	47.0
Total rated load in kW	3.60
Voltage in V	220-240
Frequency in Hz	50
Number of phases	1
Fuse rating in A	16
Length of supply lead in m	1.50
Replacing lamps	Customer
Accessories supplied	
Baking tray with PerfectClean	1
Universal tray with PerfectClean	1
Baking and roasting rack with PerfectClean	1
FlexiClip runners with PerfectClean	1
Removable PerfectClean side runners (pair)	1
Anti-splash insert with PerfectClean	1
Descaling tablets	2
Available display languages	
Available display languages through MultiLingua	bahasa malaysia, dansk, deutsch, english, español, français, hrvatski, italiano, magyar, nederlands, norsk, polski, português, русский, română, slovenčina, slovensčina, srpski, suomi, svenska, türkçe, українська, čeština, ελληνικά,

H 7264 BP

Oven

seamless design with clear text, networking & pyrolytic cleaning.



H 7264 BP

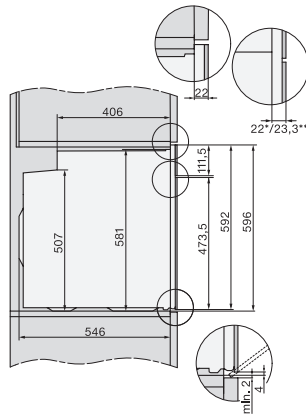
Oven

seamless design with clear text, networking & pyrolytic cleaning.



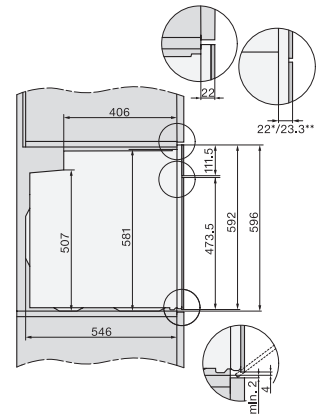
H226x-1B/BP/E/EP//IP, H2760B/BP, H28x0B/BP, H7x6xB/BP/BPX installation drawings

1) Netzanschlussleitung, L=1500 mm, 2) In diesem Bereich kein Anschluss, 3) Lüftungsausschnitt min. 150 cm²



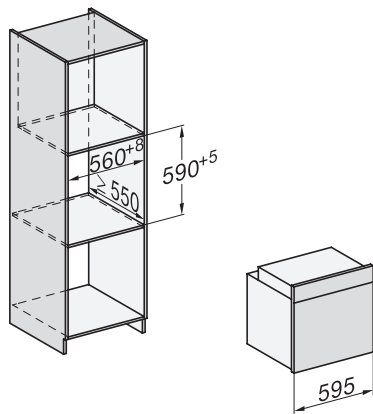
H2760B/BP, H28x0B/BP, H7x6xB/BP/BPX, DGC7351, DGC7151, installation drawings

22 mm – glass, 23,3 mm – metal

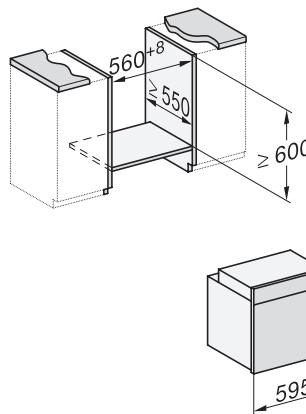


H2760B/BP, H28x0B/BP, H7x6xB/BP/BPX, installation drawings

22 mm – glass, 23,3 mm – metal



H226x-1B/BP/E/EP//IP, H2760B/BP, H28x0B/BP, H7x6xB/BP/BPX, installation drawings

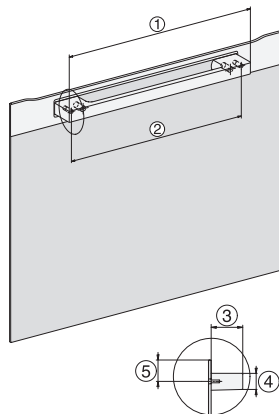


H226x-1B/BP/E/EP//IP, H2x6xB/BP, H7x6xB/BP/BPX, installation drawings

If the oven is to be installed under a hob, follow the instructions for installing the hob and the height of the hob.

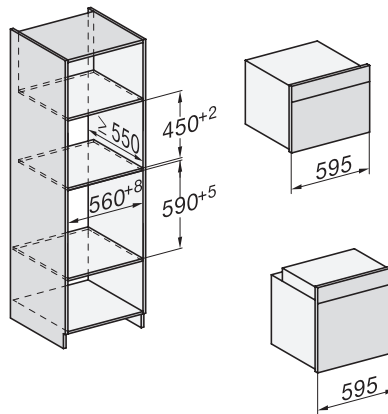
H2x6x-1B/BP/E/EP//IP, H2850BP, H7x6xB/BP/BPX, H2x6xB, installation drawings, GB, AUS

1) Mains connection cable, L=2000 mm, 2) No connection in this area, 3) Lüftungsausschnitt min. 150 cm²

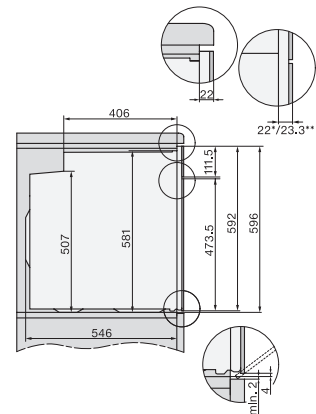


DG2840, DG7x40, DGC7x4x, DG7x6x, DGC7x6x, DGD7635, DGM7x4x, DO7, H28B/BP, H7x4xB/BM/BP, H7x6xB/BP, installation drawing

1) 400 mm, 2) 360 mm, 3) 47 mm, 4) 24 mm, 5) 32.5 mm



H226x-1B/BP/E/EP//IP, H2760B/BP, H28x0B/BP, H7x40BM/BMX, H7x6xB/BP/BPX, installation drawings



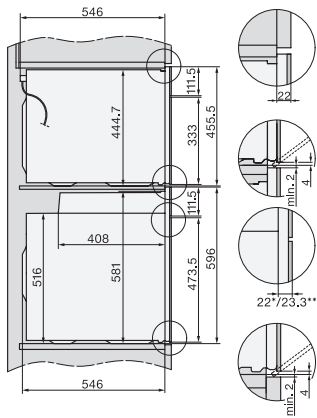
H2760B/BP, H28x0B/BP, H7x6xB/BP/BPX, installation drawings

22 mm – glass, 23,3 mm – metal

H 7264 BP

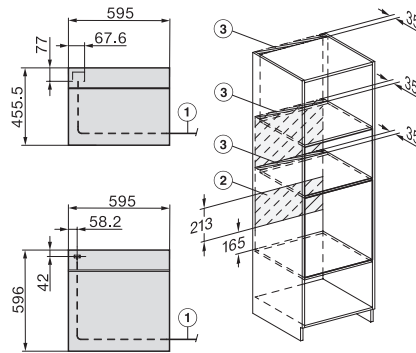
Oven

seamless design with clear text, networking & pyrolytic cleaning.



H2xxx-1 B/BP/E/I/IP, H7xxx B/BP/BM/BMX, installation drawings

22 mm – glass, 23,3 mm – metal



H2xxx-1 B/BP/E/I/IP, H7xxx B/BP/BM/BMX, installation drawings

22 mm – glass, 23,3 mm – metal