

H 7140 BM

Compact microwave combination oven

with an attractive stainless steel design, automatic programmes and combi modes.



- Clear text display with sensor controls – DirectSensor S
- Easy cleaning – compartment with PerfectClean & linen structure
- Faster and more consistent results – Quick & Gentle
- Network-enabled WiFi appliance – Miele@home
- Get what you want in one easy step – Quick MW and Popcorn button

EAN: 4002516158387 / Material number: 11093410 / Old Material Number: 22714046GB

Construction type and design	
Built-in microwave combination oven	•
ContourLine	•
Appliance Colour	Stainless steel/Clean Steel
Convenience features	
Quick & Gentle	•
Rapid heat-up	•
Keeping warm	•
Operating modes	
Defrosting	•
Automatic programmes	•
Auto roast	•
Eco fan heat	•
Grill operating modes	•
Grill	•
Fan plus	•
Microwave	•
Microwave with Auto roast	•
Microwave + Grill	•
Microwave + Fan plus	•
Microwave + Fan grill	•
Fan grill	•
User convenience	
Networking with Miele@home	•
Display	DirectSensor S
SoftOpen	•
SoftClose	•
MultiLingua	•
Individual settings	•
Popcorn function	•
Timer functions	•
Time of day display	•
Clock synchronisation	•
Minute minder	•
Programmable start of cooking duration	•
Programmable end of cooking duration	•
Programmable cooking duration	•
Actual temperature display	•
Target temperature display	•
Buzzer when desired temperature is reached	•
Recommended temperature	•
Recommended microwave power	•
Quick microwave	•
Efficiency and sustainability	
Power rating in off mode in W	0.5
Power rating in standby mode in W	1.0
Power rating in networked standby in W	2.0
Time until automatic switch to standby in min	20
Time until automatic switch to networked standby in min	20
Time until automatic switch to off mode in min	20

H 7140 BM

Compact microwave combination oven

with an attractive stainless steel design, automatic programmes and combi modes.



EAN: 4002516158387 / Material number: 11093410 / Old Material Number: 22714046GB

Cleaning convenience

Stainless steel/CleanSteel finish	•
Stainless-steel oven compartment with linen structure and PerfectClean	•
Hinged grill element	•
CleanGlass door	•

Safety

Appliance cooling system and touch-cool front	•
Safety switch-off	•
System lock	•

Technical data

Oven compartment volume in l	43
No. of shelf levels	3
Number of shelf levels oven compartment 1	3
Number of shelf levels oven compartment 2	3
Oven light	1 LED spot
Electronic temperature regulation min. in °C	30
Electronic temperature regulation max. in °C	250
Electronically controlled microwave power	•
Microwave power levels in W	
Niche width min. in mm	560
Niche width max. in mm	568
Niche height min. in mm	450
Niche height max. in mm	452
Niche depth in mm	550
Appliance width in mm	595
Appliance height in mm	456
Electronic steam oven temperature regulation min. in °C	30–250
Appliance depth in mm	563
Weight in kg	36.0
Total rated load in kW	2.70
Voltage in V	220-240
Frequency in Hz	50
Number of phases	1
Fuse rating in A	16
Length of supply lead in m	2.00
Replacing lamps	Customer Service

Accessories supplied

Baking and roasting rack with PerfectClean	1
Glass tray	1

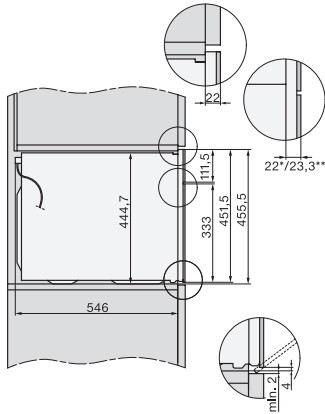
Available display languages

Available display languages through MultiLingua

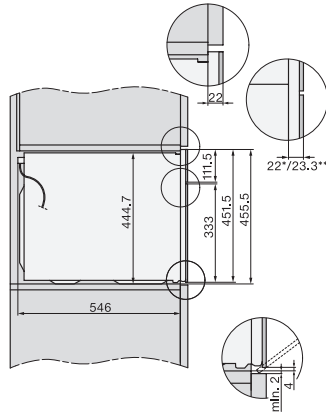
bahasa malaysia, dansk, deutsch, english, español, français, hrvatski, italiano, magyar, nederlands, norsk, polski, português, русский, română, slovenčina, slovenščina, srpski, suomi, svenska, türkçe, українська, čeština, ελληνικά,

H 7140 BM

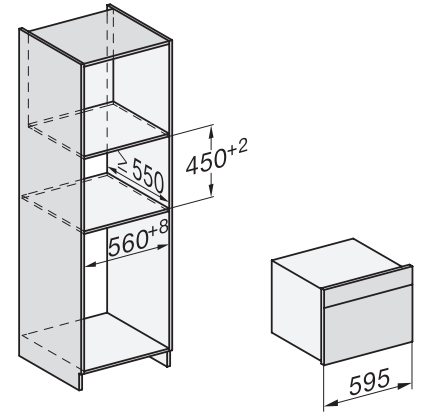
Compact microwave combination oven
with an attractive stainless steel design, automatic programmes and combi modes.



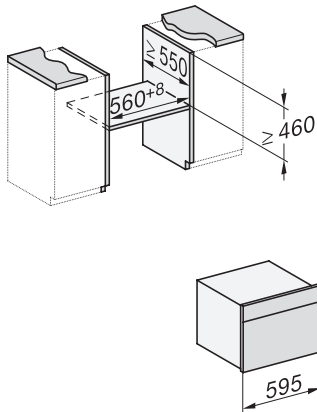
H7x40BM/BMX, installation drawings
22 mm – glass, 23,3 mm – metal



H7x40BM/BMX, installation drawings, GB, AUS
22 mm – glass, 23,3 mm – metal

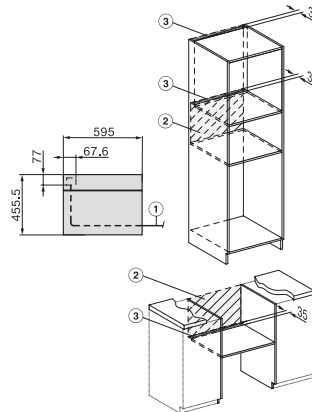


H7x40BM/BMX, installation drawings



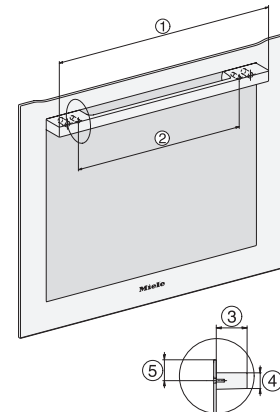
H7x4x8BM, installation drawings

If the oven is to be installed under a hob, follow the instructions for installing the hob and the height of the hob.



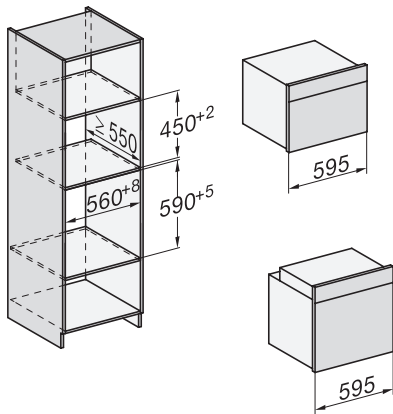
H7x40BM/BMX, installation drawings, GB, AUS

1) Mains connection cable, L=2000 mm, 2) No connection in this area, 3) Lüftungsausschnitt min. 150 cm²

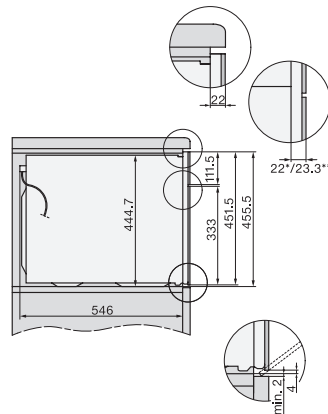


DG2740, DG7140, DGM7340, H2760B/BP, H7140BM, H7x64B/BP, H7x60B/BP installation drawings

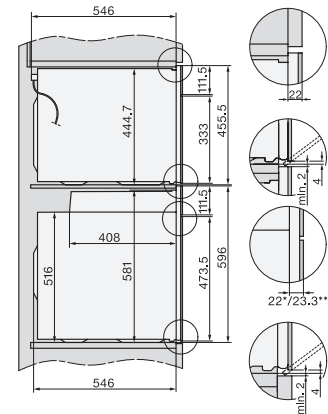
1) 474 mm, 2) 360 mm, 3) 43 mm, 4) 22,5 mm, 5) 53,75 mm



H226x-1B/BP/E/EP//IP, H2760B/BP, H28x0B/BP, H7x40BM/BMX, H7x6x8/BP/BPX, installation drawings



H7x40BM/BMX, installation drawings, GB, AUS
22 mm – glass, 23,3 mm – metal

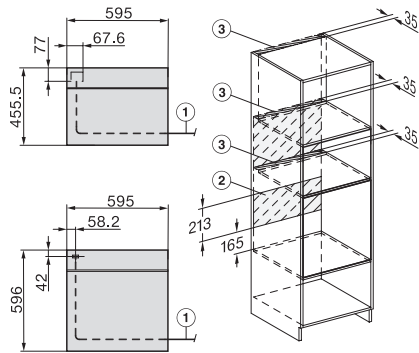


H2xxx-1 B/BP/E//IP, H7xxx B/BP/BM/BMX, installation drawings

22 mm – glass, 23,3 mm – metal

H 7140 BM

Compact microwave combination oven
with an attractive stainless steel design, automatic programmes and combi modes.



H2xxx-1 B/BP/E/I/IP, H7xxx B/BP/BM/BMX, installation
drawings

22 mm – glass, 23,3 mm – metal