

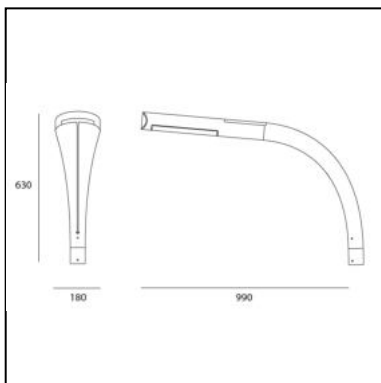


Indicta 3000K

Ernesto Gismondi



IP65   



LUMINAIRE

- Watt: **23W**
- Voltage: **220V-240V**
- Delivered lumens output: **1433lm**
- CCT: **3000K**
- Efficiency: **82%**
- Efficacy: **62.31lm/W**
- CRI: **80**

DESCRIPTION

Light fixture with direct emission, with high-performance LED light sources. ø60mm pole installation with ø35x120mm shank (not supplied). Anthracite grey finish. Composed by optical housing and support for pole installation. Optical housing in extruded EN-AW-6060 aluminium, chromate treated and painted with 3-stage outdoor treatment: nanotechnologies, antioxidant primer, polyester paint. UV resistant diffuser in shock resistant polycarbonate. High-efficiency asymmetrical optics in metalized polycarbonate. Optical housing support in high-resistance mass-coloured reinforced polymers.

PRODUCT CODE: T084810

FEATURES

- Article Code: **T084810**
- Installation: **PoleFloor**
- Material: **Aluminum, polycarbonate**
- Series: **Architectural Outdoor**
- Area contract: **null**
- design by: **Ernesto Gismondi**

DIMENSIONS

- Length: **cm 99**
- Width: **cm 18**
- Height: **cm 363**
- Glow Wire Test: **650°**




SOURCES INCLUDED

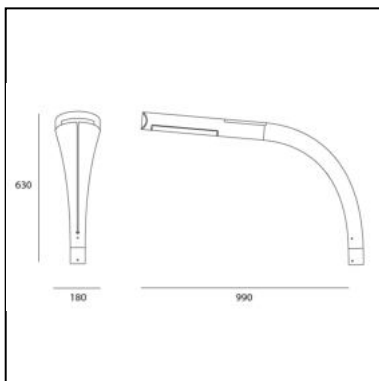
- Category: **Led**
- Number: **1**
- Watt: **24W**
- Color temperature (K): **3000K**
- CRI: **80**

Indicta 4000K

Ernesto Gismondi



IP65   



LUMINAIRE

- Watt: **24W**
- Voltage: **220V-240V**
- Delivered lumens output: **1341lm**
- CCT: **4000K**
- Efficiency: **82%**
- Efficacy: **55.89lm/W**
- CRI: **80**

DESCRIPTION

Light fixture with direct emission, with high-performance LED light sources. $\varnothing 60$ mm pole installation with $\varnothing 35 \times 120$ mm shank (not supplied). Anthracite grey finish. Composed by optical housing and support for pole installation. Optical housing in extruded EN-AW-6060 aluminium, chromate treated and painted with 3-stage outdoor treatment: nanotechnologies, antioxidant primer, polyester paint. UV resistant diffuser in shock resistant polycarbonate. High-efficiency asymmetrical optics in metalized polycarbonate. Optical housing support in high-resistance mass-coloured reinforced polymers.

PRODUCT CODE: T084800

FEATURES

- Article Code: **T084800**
- Installation: **PoleFloor**
- Material: **Aluminum, polycarbonate**
- Series: **Architectural Outdoor**
- Area contract: **null**
- design by: **Ernesto Gismondi**

DIMENSIONS

- Length: **cm 99**
- Width: **cm 18**
- Height: **cm 363**
- Glow Wire Test: **650°**

SOURCES INCLUDED

- Category: **Led**
- Number: **1**
- Watt: **24W**
- Color temperature (K): **4000K**
- CRI: **80**