

WEI 865 WCS PWash & TDos & 9kg

W1 front-loader washing machine:

with TwinDos and SingleWash for laundry care that saves time and energy.



- Automatic detergent dispensing at the touch of a button – TwinDos
- Cleaning cannot be faster – QuickPowerWash
- Perfect supplement for specific applications – CapDosing
- Display & convenient operation at your fingertips – ComfortSensor
- Miele@home – clever networking opens up new possibilities*

* Additional digital offer from Miele & Cie. KG. All smart applications are made possible with the Miele@home system. The range of functions can vary depending on the model and the country.



EAN: 4002516257684 / Material number: 11359340 / Old Material Number: 11EI8655GB

Construction type	
Suitable for stacking	•
Side-by-side	•
Slot-in	•
Can be built-under	•
Door hinge	right
Model	
Product brand	W1 Chrome Edition
Front-loader	•
Spinning	
Max. spin speed	1600
Rinse hold	•
Without spin function	•
Design	
Appliance colour	Lotus white
Control panel colour	Lotus white
Rotary selector colour	Lotus White / Chrome ring
Control panel version	Straight
Control type	Rotary selector
Display	ComfortSensor white, 1 line
Cleaning performance	
Innovative PowerWash technology	•
TwinDos automatic detergent dispensing	•
CapDosing portioned dispensing	•
Stains option	•
Certified virus hygiene	•
Gentle laundry care	
Honeycomb drum	•
Load in kg	9.0
User convenience	
Networking with Miele@home	•
Delay start up to 24 hours	•
Time left display	•
Programme sequence indicator	•
Drum lighting	LED
MultiLingua	•
AutoClean detergent drawer	•
AddLoad	•
Efficiency and sustainability	
Energy efficiency class (A–G)	A
Weighted energy consumption per 100 operating cycles for the wash cycle in kWh	49
Weighted water consumption per cycle in l	48
Spin efficiency class	A
Acoustic airborne noise emission class (spin cycle)	A
Sound emissions during spin cycle in dB(A) re 1 pW	68
Duration of the “ECO 40–60” programme at nominal capacity	199
Power rating in off mode in W	0.40
Power rating in networked standby in W	0.80

WEI 865 WCS PWash & TDos & 9kg

W1 front-loader washing machine:

with TwinDos and SingleWash for laundry care that saves time and energy.



EAN: 4002516257684 / Material number: 11359340 / Old Material Number: 11EI8655GB

EcoFeedback	•
Low temperature wash "Cold" and "20 °C"	•
Automatic load control	•
Flow meter	•
Foam sensing	•
ProfiEco motor	•
Wash programmes	
QuickPowerWash	•
Automatic plus	•
Cottons (coloureds)	•
Minimum iron	•
Delicates	•
Shirts	•
Silk (hand-washable)	•
Woolens (hand-washable)	•
Express 20	•
Dark garments / Denim	•
Outerwear	•
Proofing	•
Sportswear	•
Down duvets	•
Pillows	•
Down	•
Curtains	•
Cottons hygiene	•
Clean machine	•
Cottons Arrow	•
First wash	•
Separate rinse/Starch	•
Drain / Spin	•
ECO 40-60	•
Extras	
SingleWash	•
Short	•
Soak	•
Pre-wash	•
Water plus	•
Additional rinse cycle	•
Extra quiet	•
Pre-ironing	•
Buzzer	•
AllergoWash	•
Quality	
Suds container	Stainless Steel
Counterweights made of cast iron	•
Safety	
Safety lock	•
PIN-Code	•
Optical interface	•
Technical data	
Dimensions in mm (width)	596

WEI 865 WCS PWash & TDos & 9kg

W1 front-loader washing machine:

with TwinDos and SingleWash for laundry care that saves time and energy.



EAN: 4002516257684 / Material number: 11359340 / Old Material Number: 11E18655GB

Dimensions in mm (height)	850
Dimensions in mm (depth)	636
Appliance depth in mm with opened door	1054
Appliance depth excluding door (for building-under) in mm	600
Weight in kg	95
Total rated load in kW	2.10-2.40
Voltage in V	220-240
Fuse rating in A	13
Frequency in Hz	50
Length of supply lead in m	2
Replacing lamps	Customer Service
Accessories supplied	
3 Caps	•
UltraPhase 1 + 2	•
Voucher for 5 Miele UltraPhase cartridges	•
Available display languages	
Available display languages through MultiLingua	bahasa malaysia, deutsch, english (AU), english (GB), español, português, , , ,

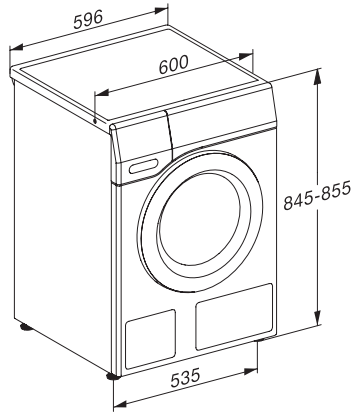
WEI 865 WCS PWash & TDos & 9kg

W1 front-loader washing machine:

with TwinDos and SingleWash for laundry care that saves time and energy.



W1 installation drawing, slanted facia, straight facia, measures in mm



W1 drawing, slanted facia, straight facia, measures in mm



W1 drawing, slanted facia, straight facia, measures in mm



W1 drawing, slanted facia, straight facia, measures in mm