

MELANOCETUS

Tristan Auer



PL



PL DOUBLE



"La lampada che ho sempre sognato di fare." Con queste parole Tristan Auer descrive il progetto Melanocetus disegnato per Contardi. Linee essenziali, purezza ed equilibrio per un segno riconoscibile nell'ambiente ed un'illuminazione pensata. Disponibile in due finiture e due versioni, singola e doppia, entrambe orientabili. I faretto, uno dei quali ruota di 350°, conferiscono una luce diretta ed indiretta.

"The lamp that I have always dreamed to design". With these words Tristan Auer describes the Melanocetus project designed for Contardi. Essential lines, purity and balance for a recognizable sign in the environment and a designed lighting. Available in two finishes and two versions, single and double, both adjustable. The spotlights, one of which rotates 350°, give a direct and indirect light.

SPECIFICHE PRODOTTO / PRODUCT SPECIFICS

p2

MELANOCETUS PL

p3

MELANOCETUS PL DOUBLE

p4



STRUTTURA / FRAME



Nero opaco
con dettaglio oro satinato
*Matt black
with satin gold detail*



Oro satinato
con dettaglio nero opaco
*Satin gold
with matt black detail*

DIFFUSORE / DIFFUSER



Plexiglass satinato
Satin plexiglass

FRONTE LUMINOSA / LIGHT SOURCE



GU10 LED
Utilizzabili lampadine LED fino
alla massima potenza disponibile
sul mercato

*You can use LED light bulbs of
the highest available wattage*

DIMMERABILE / DIMMABLE

PL

2 X 7.5W
GU10 LED
Lumen: 2 X 650
3.000 K; CRI: >90

PL DOUBLE

4 X 7.5W
GU10 LED
Lumen: 4 X 650
3.000 K; CRI: >90



USA / LIGHT SOURCE



GU10 LED
You can use LED light bulbs of
the highest available wattage

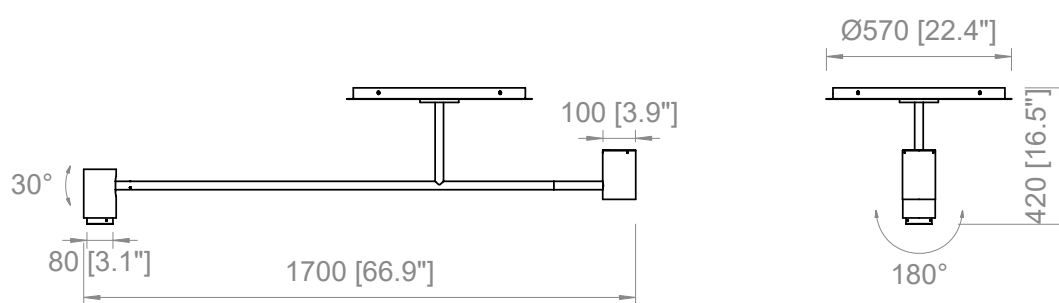
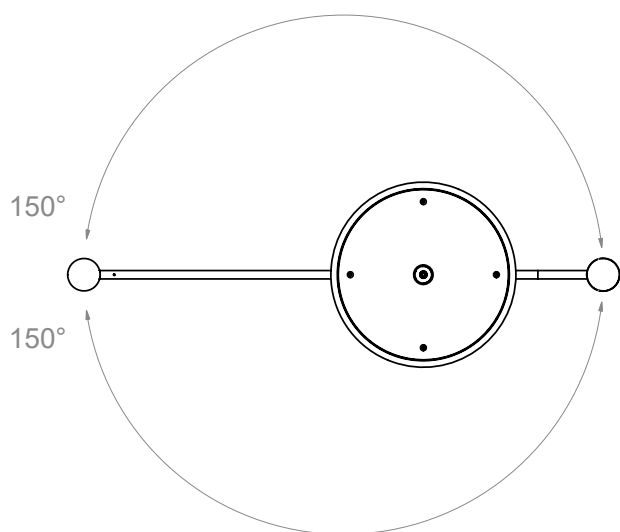
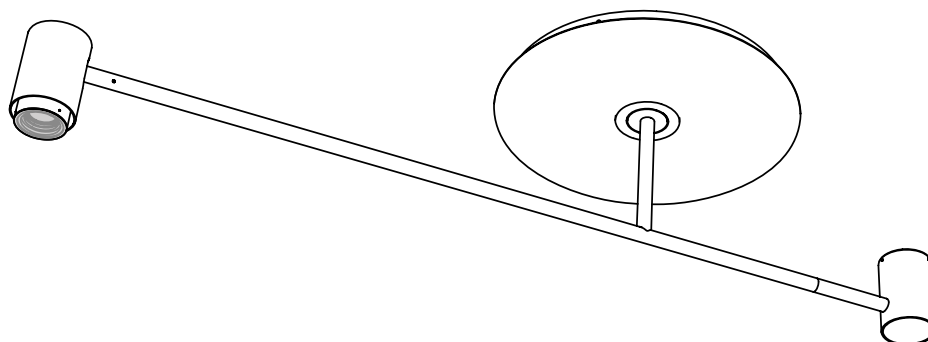
DIMMABLE

PL

2 X 7.5W
GU10 LED
Lumen: 2 X 650
3.000 K; CRI: >90

PL DOUBLE

4 X 7.5W
GU10 LED
Lumen: 4 X 650
3.000 K; CRI: >90



PRODOTTO / PRODUCT

PESO / WEIGHT
23 kg / 50.7 lbs

BOX 1

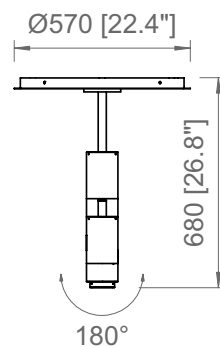
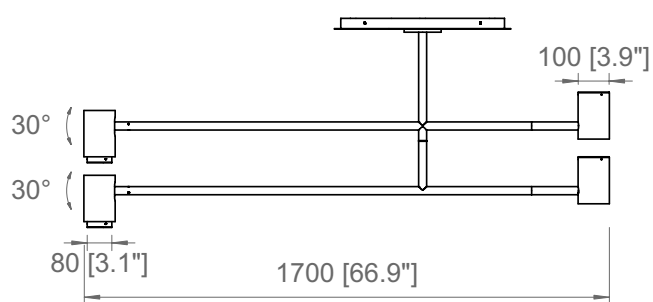
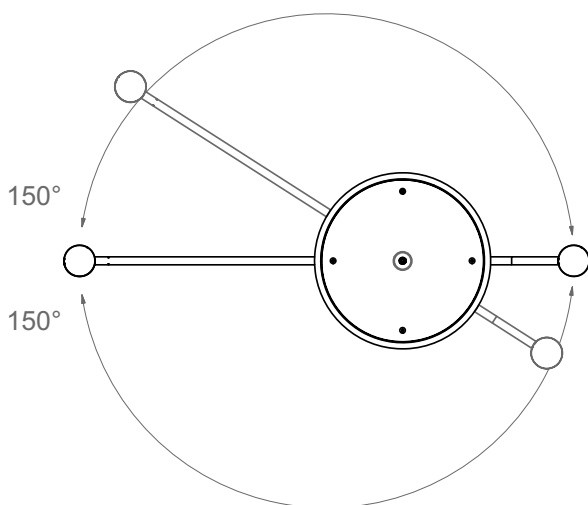
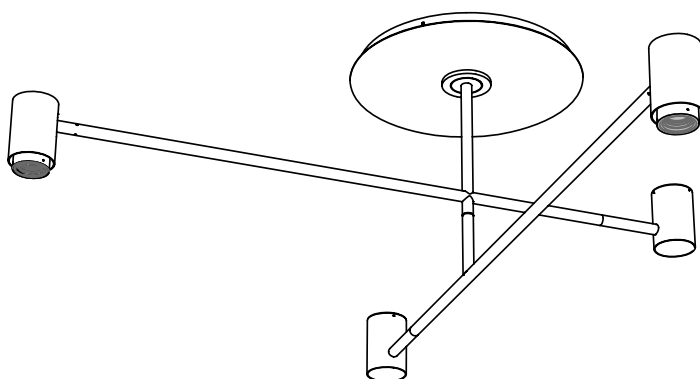
L: 183 cm / 72"
W: 70 cm / 27.5"
H: 19 cm / 7.5"

PESO / WEIGHT
12 kg / 26.4 lbs

BOX 2

L: 70 cm / 27.5"
W: 66 cm / 26"
H: 12 cm / 4.7"

PESO / WEIGHT
13 kg / 28.6 lbs



PRODOTTO / PRODUCT

PESO / WEIGHT
28 kg / 61.7 lbs

BOX 1

L: 183 cm / 72"
W: 70 cm / 27.5"
H: 19 cm / 7.5"

PESO / WEIGHT
17 kg / 37.5 lbs

BOX 2

L: 70 cm / 27.5"
W: 66 cm / 26"
H: 12 cm / 4.7"

PESO / WEIGHT
13 kg / 28.6 lbs



Copyright and/or design rights subsist in this drawing. No part of this drawing may be reproduced in any material form (including photocopying or storing in any medium electronic means, whether or not intentionally and whether or not as part or a larger publication) without the express permission of the copyright owner, Contardi Lighting S.r.l.. Further and without prejudice to the above, this drawing and all information relating thereto is confidential, and shall not be communicated to a third party without the consent of Contardi lighting srl. Contardi lighting srl asserts all rights to be identified as the author of the work and otherwise.

WARNING: The doing of any unauthorised act in relation to a copyright work may result in both a civil claim for damages and criminal prosecution.

CONTARDI LIGHTING Srl

ITALY HEADQUARTERS

www.contardi-italia.com / sales@contardi-italia.it

CONTARDI USA Inc

USA BRANCH

www.contardi-usa.com / sales@contardi-usa.com

