

# ECLISSE

Massimiliano Raggi



SO



Sospensione ad anelli, realizzati in legno con finitura bronzo (in due tonalità), attraverso le nuove tecniche di verniciatura con polveri di metallo: l'effetto è quello del bronzo spazzolato su metallo. Adesso disponibile anche nella nuova finitura bianca. Contardi propone la luce principale, dimmerabile, inserita nel rosone e centrata sull'anello principale, che colpendo gli spicchi degli anelli laterali crea un effetto "ombra" sulla superficie, da qui il nome Eclisse. Gli anelli laterali invece emettono invece una luce più soft e delicata, diffusa dal materiale plastico speciale con venature, che ricorda il marmo. Le due sorgenti sono comandabili separatamente e la corrente è condotta dai cavi coassiali di tenuta, senza alcuna cavo di alimentazione, garantendo il massimo risultato di pulizia formale.

*Through new innovative and unique techniques was born the Eclisse Chandelier. A suspension lamp with three multi-sized rings made of wood, the Eclisse stands out by using a new method of painting wood with metal powders; creating the illusion of a satin bronze & light satin bronze metal finish, while offering the benefit of a lighter weight, more sustainable fixture. The two side rings emit a soft light diffused by a special acrylic material with characteristic veining similar to that of marble. The main light is a dimmable COB LED built in to the canopy and focused on the main ring with the objective of creating a shadowing effect reminiscent of an Eclipse, or in Italian Eclisse. The two light sources can be controlled separately and the current is led through coaxial suspension cables without any power cable, guaranteeing the maximum neatness of form. Now also available in a total white finish.*

SPECIFICHE PRODOTTO / PRODUCT SPECIFICS

p2

ECLISSE SO

p3

**STRUTTURA / FRAME**

Rosone bronzo spazzolato  
*Satin bronze canopy*



Rosone laccato bianco opaco  
*Matt white lacquered canopy*

**DIFFUSORE / DIFFUSER**

Anello grande in legno bronzo scuro  
*Larger ring in dark bronze painted wood*



Anelli in legno verniciati bianco opaco  
*Rings in matt white painted wood*



Anelli piccoli in legno bronzo chiaro  
*Smaller rings in light bronze painted wood*



Dischi in alicrite effetto alabastro  
*Alicrite diffusing discs with alabaster effect*



Dischi in alicrite effetto alabastro  
*Alicrite diffusing discs with alabaster effect*

**CAVO / CABLE**

Cavi in acciaio coassiali

*Coaxial steel cables*

H: 200 cm

H: 78.7"

Due fonti luminose indipendenti  
Doppia accensione

*Two independent light sources  
Double switching*

**FRONTE LUMINOSA / LIGHT SOURCE**

COB LED



STRIP LED

1 X 18W COB LED +  
1 X 17W Strip LED +  
1 X 19W Strip LED  
Lumen: 2.400 + 1.400  
2.700 K; CRI: >90

**DIMMERABILE / DIMMABLE**

COB LED - solo rosone  
Compatibili con sistemi di controllo remoto

*COB LED - canopy only  
Compatible with remote control systems*

**USA / LIGHT SOURCE**

COB LED

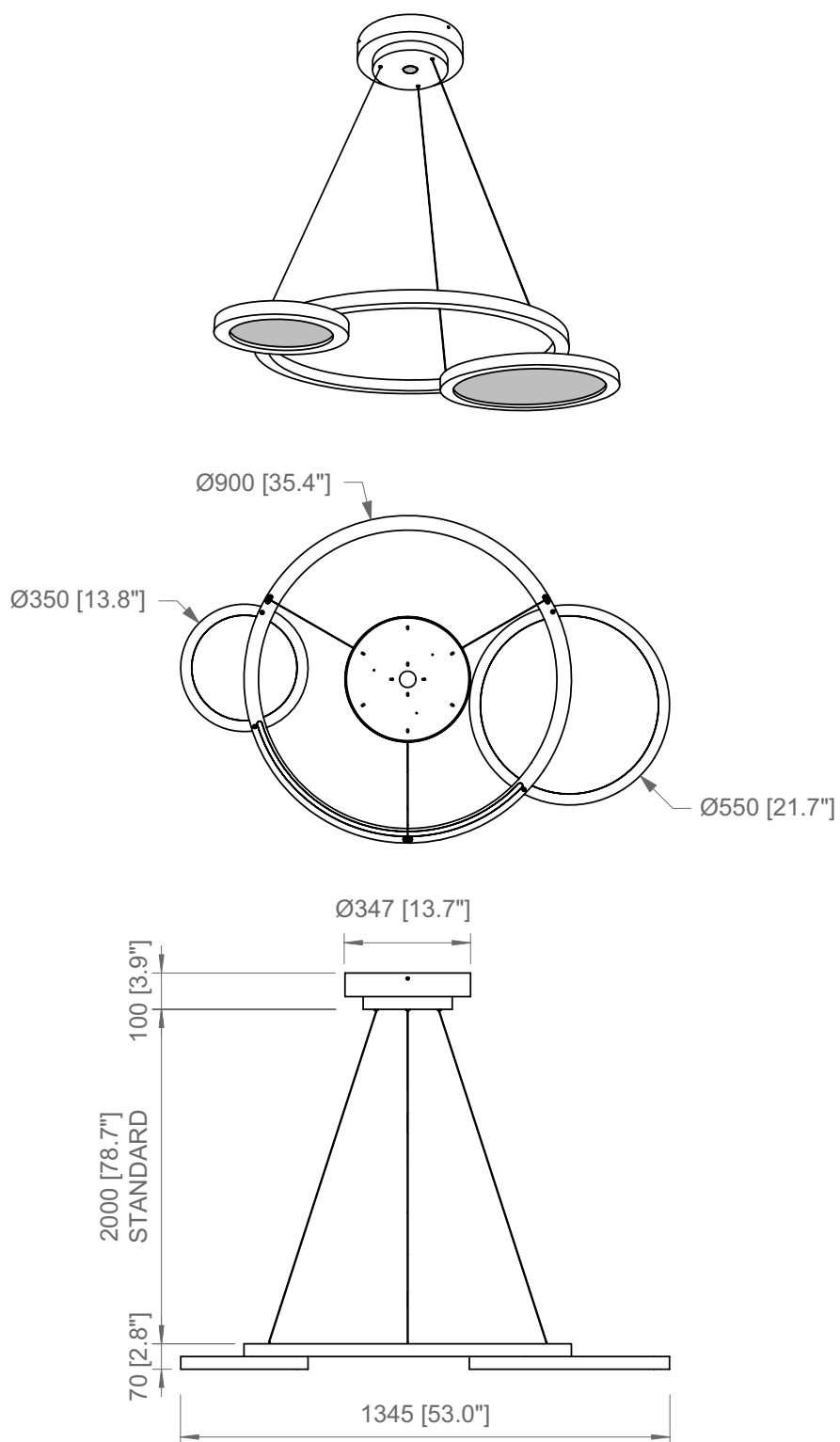


STRIP LED

1 X 18W COB LED +  
1 X 17W Strip LED +  
1 X 19W Strip LED  
Lumen: 2.400 + 1.400  
2.700 K; CRI: >90

**DIMMABLE**

COB LED - canopy only  
Compatible with remote control systems



PRODOTTO / PRODUCT

BOX 1

PESO / WEIGHT  
20 kg / 44 lbs

L: 122 cm / 48"  
W: 122 cm / 48"  
H: 18 cm / 7.1"

PESO / WEIGHT  
21,5 kg / 47.3 lbs



Copyright and/or design rights subsist in this drawing. No part of this drawing may be reproduced in any material form (including photocopying or storing in any medium electronic means, whether or not intentionally and whether or not as part or a larger publication) without the express permission of the copyright owner, Contardi Lighting S.r.l.. Further and without prejudice to the above, this drawing and all information relating thereto is confidential, and shall not be communicated to a third party without the consent of Contardi lighting srl. Contardi lighting srl asserts all rights to be identified as the author of the work and otherwise.

**WARNING:** The doing of any unauthorised act in relation to a copyright work may result in both a civil claim for damages and criminal prosecution.

---

**CONTARDI LIGHTING Srl**

ITALY HEADQUARTERS

[www.contardi-italia.com](http://www.contardi-italia.com) / [sales@contardi-italia.it](mailto:sales@contardi-italia.it)

**CONTARDI USA Inc**

USA BRANCH

[www.contardi-usa.com](http://www.contardi-usa.com) / [sales@contardi-usa.com](mailto:sales@contardi-usa.com)

