

COCO MEGA OUTDOOR

Tristan Auer



MEGA OUTDOOR



Versione da esterno della celebre Coco Mega. Legno marino moca scuro per la base e tessuto Dagnet (impermeabile e ignifugo) per il paralume. La finitura moca scuro la rende un elemento d'arredo di illuminante eleganza.

Outdoor version of the Coco Mega lamp. Dark marine wood for the base and Dagnet fabric (waterproof and fireproof) for the shade. The dark mocha finish makes the lamp a furnishing element with shining elegance.

SPECIFICHE PRODOTTO / PRODUCT SPECIFICS

p2

COCO MEGA OUTDOOR

p3



STRUTTURA / FRAME



Acciaio spazzolato
Legno marino in mocha scuro con
trattamento impermeabilizzante

*Satin steel
Dark mocha marine wood with
waterproof treatment*

PARALUME / SHADE



Tessuto impermeabile a rete
"Dagnet" grigio

*Grey "Dagnet" waterproof
fabric*

FONTE LUMINOSA / LIGHT SOURCE



E27 T8 Tubular LED
Utilizzabili lampadine LED fino
alla massima potenza disponibile
sul mercato

*You can use LED light bulbs of
the highest available wattage*

H max. 14,5 cm / 5.7"

1 X E27 T8
Lampadina Tubular LED
Tubular LED bulb



 Coco Mega Outdoor

USA / LIGHT SOURCE

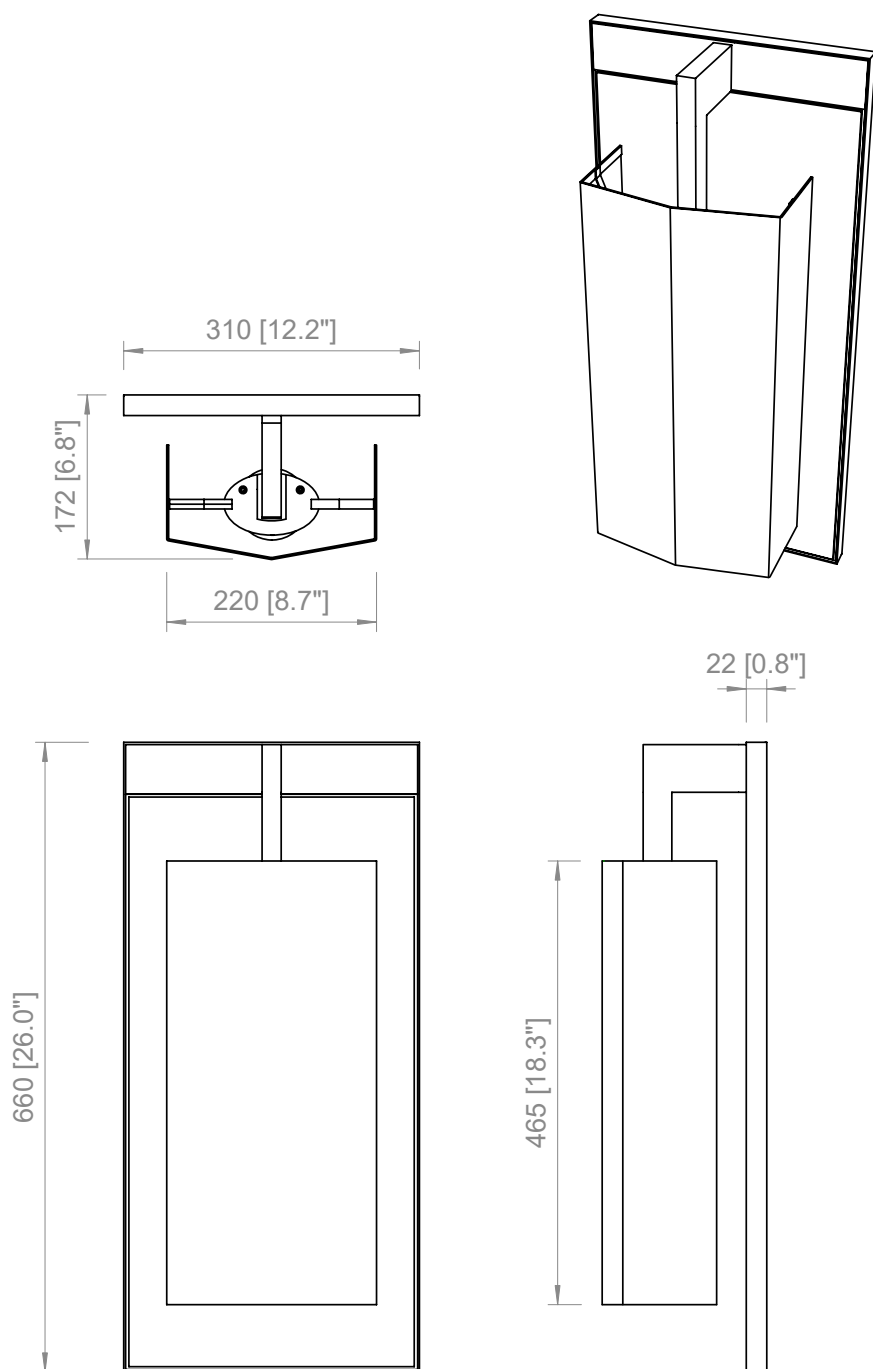


E26 T8 Tubular LED
You can use LED light bulbs of
the highest available wattage

H max. 14,5 cm / 5.7"

1 X E26 T8
Tubular LED bulb





PRODOTTO / PRODUCT

PESO / WEIGHT
10 kg / 22 lbs

BOX 1

L: 56 cm / 22"
W: 27 cm / 10.6"
H: 80 cm / 31.5"

PESO / WEIGHT
11 kg / 24.2 lbs



Copyright and/or design rights subsist in this drawing. No part of this drawing may be reproduced in any material form (including photocopying or storing in any medium electronic means, whether or not intentionally and whether or not as part or a larger publication) without the express permission of the copyright owner, Contardi Lighting S.r.l.. Further and without prejudice to the above, this drawing and all information relating thereto is confidential, and shall not be communicated to a third party without the consent of Contardi lighting srl. Contardi lighting srl asserts all rights to be identified as the author of the work and otherwise.

WARNING: The doing of any unauthorised act in relation to a copyright work may result in both a civil claim for damages and criminal prosecution.

CONTARDI LIGHTING Srl

ITALY HEADQUARTERS

www.contardi-italia.com / sales@contardi-italia.it

CONTARDI USA Inc

USA BRANCH

www.contardi-usa.com / sales@contardi-usa.com

