

# BEAM

---

*Maria Vafiadis*



---

TA



Beam rappresenta un'evoluzione nell'interpretazione della "lampada di scopo", dall'inglese "task light", categoria a cui appartengono le lampade da scrittoio e da lettura. L'innovazione è rappresentata dal fatto che si muove la luce e non la lampada. Attraverso il pulsante a tre fasi, la luce diventa orientabile ed indirizzabile a seconda della necessità di chi la usa, senza dover muovere la struttura.

*Beam represents an evolution in the interpretation of the "lamp of purpose", from the English "task light", a category lamps for writing and reading belong to. Innovation is represented by the fact that what is moving is the light, but not the lamp. Through the three-phase switch, the light becomes adjustable and addressable according to the user's needs without having to move the structure.*

SPECIFICHE PRODOTTO / PRODUCT SPECIFICS

p2

BEAM TA

p3



## STRUTTURA / FRAME



Bronzo spazzolato  
*Satin bronze*

## CAVO - INTERRUTTORE / CABLE - SWITCH

Tessuto nero  
*Black fabric*

**TA**  
L: 200 cm  
L: 78,7"

Comando a pulsante su base  
per indirizzare la luce  
*Push-button control on the base  
to direct the light*

## FONTE LUMINOSA / LIGHT SOURCE



Strip LED  
Luce orientabile (180°)  
Tre posizioni: sx, dx e centrale  
*Adjustable light (180°)  
Three positions: left, right and central*

**TA**  
2 X 4W  
Strip LED  
Lumen: 880  
2.700 K; CRI: >90



## USA / LIGHT SOURCE

Black cable

**TA**  
L: 78,7"

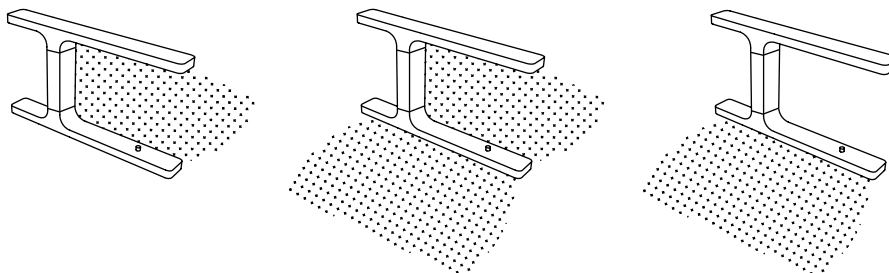
Push-button control on the base  
to direct the light

## USA / LIGHT SOURCE

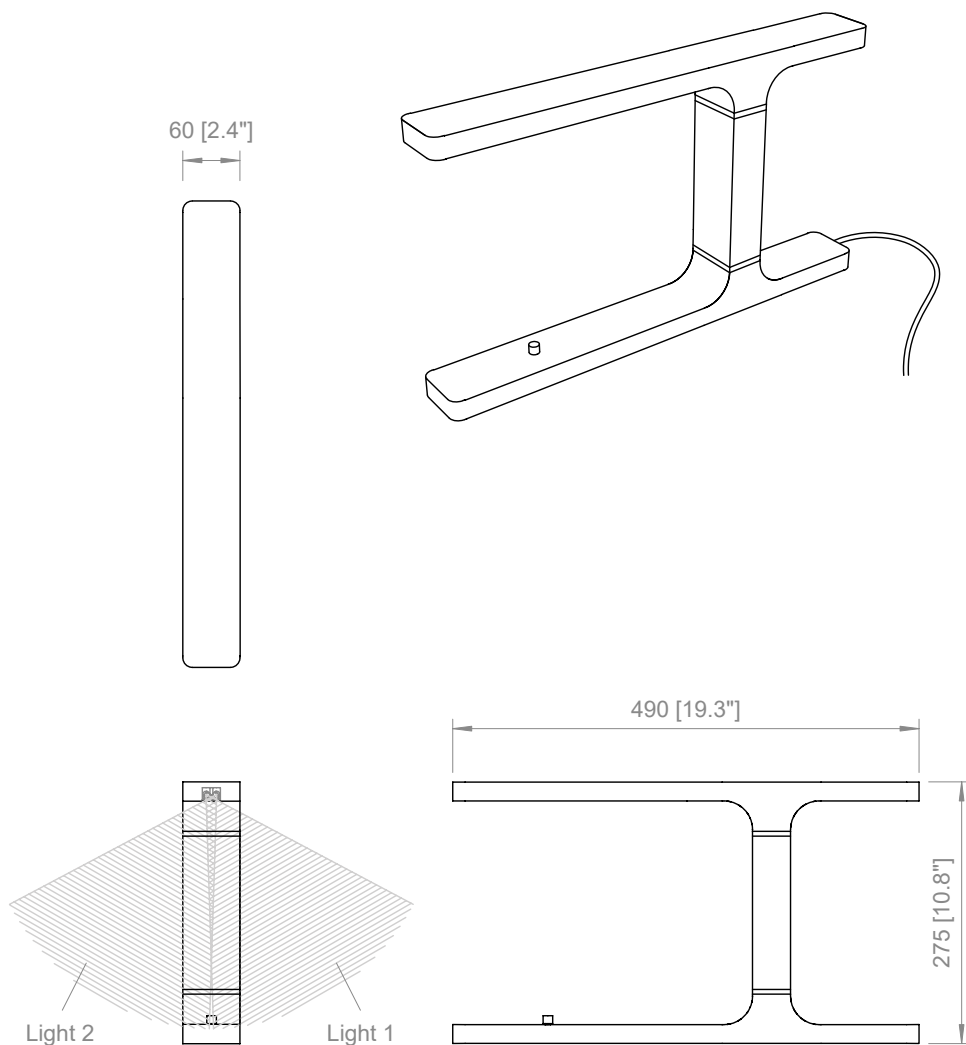


Strip LED  
Adjustable light (180°)  
Three positions: left, right and central

**TA**  
2 X 4W  
Strip LED  
Lumen: 880  
2.700 K; CRI: >90



Beam TA e FL



**PRODOTTO / PRODUCT**

PESO / WEIGHT  
4 kg / 8.8 lbs

**BOX 1**

L: 12 cm / 4.7"  
W: 41 cm / 16.1"  
H: 67 cm / 26.3"

PESO / WEIGHT  
5 kg / 11 lbs



Copyright and/or design rights subsist in this drawing. No part of this drawing may be reproduced in any material form (including photocopying or storing in any medium electronic means, whether or not intentionally and whether or not as part or a larger publication) without the express permission of the copyright owner, Contardi Lighting S.r.l.. Further and without prejudice to the above, this drawing and all information relating thereto is confidential, and shall not be communicated to a third party without the consent of Contardi lighting srl. Contardi lighting srl asserts all rights to be identified as the author of the work and otherwise.

**WARNING:** The doing of any unauthorised act in relation to a copyright work may result in both a civil claim for damages and criminal prosecution.

---

**CONTARDI LIGHTING Srl**

ITALY HEADQUARTERS

[www.contardi-italia.com](http://www.contardi-italia.com) / [sales@contardi-italia.it](mailto:sales@contardi-italia.it)

**CONTARDI USA Inc**

USA BRANCH

[www.contardi-usa.com](http://www.contardi-usa.com) / [sales@contardi-usa.com](mailto:sales@contardi-usa.com)

