

TCR780WP Eco&Steam&9kg

T1 heat-pump dryer:

with SteamFinish, SilenceDrum and M Touch for the highest demands.



- M Touch – the appliance is controlled by tapping or swiping
- Less ironing, more freshness – SteamFinish
- Pleasantly quiet drying – SilenceDrum
- DryCare 40 – dries almost anything that can be washed at 40 °C
- Miele@home – clever networking opens up new possibilities*

* Additional digital offer from Miele & Cie. KG. All smart applications are made possible with the Miele@home system. The range of functions can vary depending on the model and the country.

A+++

EAN: 4002516465027 / Material number: 11871890 / Old Material Number: 12CR7802GB

Construction type	
Suitable for stacking	•
Side-by-side	•
Slot-in	•
Can be built-under	•
Door hinge	left
Model	
Product brand	T1 Chrome Edition
Heat pump dryer	•
Design	
Appliance colour	Lotus white
Control panel colour	Lotus white
Control panel version	Straight
Control type	Touch controls
Display	MTouch
Drying results	
PerfectDry precision drying	•
FragranceDos ² fragrance system	•
Intelligent drum reversal	•
Proven hygiene	•
Gentle laundry care	
SilenceDrum	•
Load in kg	9.0
User convenience	
Networking with Miele@home	•
Wash2Dry	•
Delay start up to 24 hours	•
Time left display	•
Time of day display	•
Programme sequence indicator	Yes
Drying assistant	•
Information text	•
Favourite programmes	•
Drum lighting	LED
MultiLingua	•
Acoustics package for the lowest sound emissions	•
Condensate container	•
Integrated condensed water drainage	•
AddLoad	•
Efficiency and sustainability	
Energy efficiency class (A+++ – D)	A+++
More economical than the threshold value (24) for energy efficiency rating A+++	10%
Annual energy consumption in kWh	174
Duration in minutes in the standard programme	220
Noise in the Cottons programme with full load in db(A) re 1 pW	62
Condensation efficiency class	A
Energy consumption in kWh in the Cottons Normal dry standard programme with a full load	1.47
EcoFeedback	•

TCR780WP Eco&Steam&9kg

T1 heat-pump dryer:

with SteamFinish, SilenceDrum and M Touch for the highest demands.



EAN: 4002516465027 / Material number: 11871890 / Old Material Number: 12CR7802GB

EcoDry technology	•
Maintenance-free heat exchanger	•
ProfiEco motor	•
Drying programmes	
Automatic plus	•
Cottons (coloureds)	•
Minimum iron	•
Delicates	•
Shirts	•
Silks handcare	•
Woollens handcare	•
Express	•
Denim	•
Outerwear	•
Proofing	•
Sportswear	•
Standard pillows	•
Large pillows	•
Cottons hygiene	•
Cool air	•
Warm air	•
Basket programme	•
Pre-Ironing	•
Bed linen	•
Steam care	•
Extras	
Anti-crease	•
Gentle tumble	•
Freshen up	•
Buzzer	•
DryCare 40	•
DryFresh	•
PowerFresh	•
Quality	
Soft ribs	•
Safety	
PIN-Code	•
Empty out container indicator	•
Clean filter indication	•
Optical interface	•
Technical data	
Dimensions in mm (width)	596
Dimensions in mm (height)	850
Dimensions in mm (depth)	636
Appliance depth in mm with opened door	1054
Appliance depth excluding door (for building-under) in mm	600
Weight in kg	62
Total rated load in kW	1.10
Voltage in V	220-240
Fuse rating in A	13
Frequency in Hz	50

TCR780WP Eco&Steam&9kg

T1 heat-pump dryer:

with SteamFinish, SilenceDrum and M Touch for the highest demands.



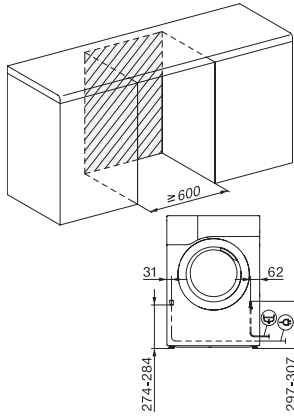
EAN: 4002516465027 / Material number: 11871890 / Old Material Number: 12CR7802GB

Length of supply lead in m	2.0
Contains fluorinated greenhouse gases	•
Hermetically sealed	•
Type of coolant	R134a
Refrigerant quantity in kg	0.48
Refrigerant global warming potential	1430
Appliance global warming potential	686.00
Replacing lamps	Customer Service
Accessories supplied	
Fragrance flacon	•
Voucher for a second fragrance flacon	•
Available display languages	
Available display languages through MultiLingua	bahasa malaysia, dansk, deutsch, english (AU), english (CA), english (GB), english (US), español, français (CA), français (FR), hrvatski, italiano, magyar, nederlands, norsk, polski, portugês, русский, română, slovenčina, slovenščina, srpski, suomi, svenska, türkçe, українська, čeština, ελληνικά,

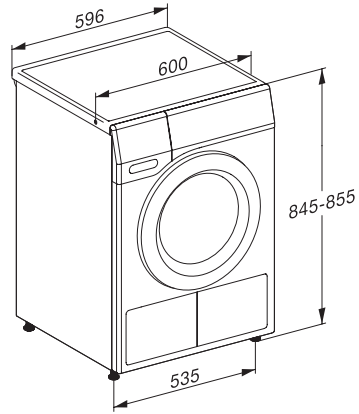
TCR780WP Eco&Steam&9kg

T1 heat-pump dryer:

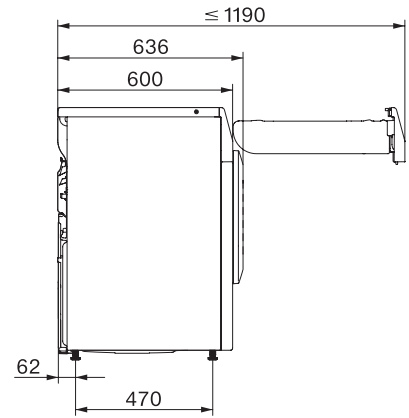
with SteamFinish, SilenceDrum and M Touch for the highest demands.



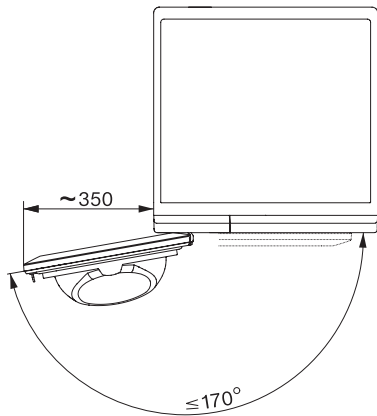
T1 installation drawing, slanted facia, straight facia, measures in mm



T1 drawing, slanted facia, straight facia, measures in mm



T1 drawing, slanted facia, straight facia, with porthole, measures in mm



T1 drawing, slanted facia, straight facia, measures in mm