

WWI 860 WCS P Wash & TDos & 9kg

W1 front-loader washing machine:

with TwinDos and SingleWash for laundry care that saves time and energy.



- Automatic detergent dispensing at the touch of a button – TwinDos
- Cleaning cannot be faster – QuickPowerWash
- Perfect supplement for specific applications – CapDosing
- Display & convenient operation at your fingertips – ComfortSensor
- Miele@home – clever networking opens up new possibilities*

* Additional digital offer from Miele & Cie. KG. All smart applications are made possible with the Miele@home system. The range of functions can vary depending on the model and the country.



EAN: 4002516257868 / Material number: 11359330 / Old Material Number: 11WI8601GB

Construction type	
Suitable for stacking	•
Side-by-side	•
Slot-in	•
Door hinge	right
Model	
Product brand	W1 White Edition
Front-loader	•
Spinning	
Max. spin speed	1600
Rinse hold	•
Without spin function	•
Design	
Appliance colour	Lotus white
Control panel colour	Lotus white
Door design	Obsidian black with chrome ring
Rotary selector colour	Lotus White / Chrome ring
Control panel version	5° incline
Control type	Rotary selector
Display	ComfortSensor white, 1 line
Cleaning performance	
Innovative PowerWash technology	•
TwinDos automatic detergent dispensing	•
CapDosing portioned dispensing	•
Stains option	•
Certified virus hygiene	•
Gentle laundry care	
Honeycomb drum	•
Load in kg	9.0
User convenience	
Networking with Miele@home	•
Delay start up to 24 hours	•
Time left display	•
Programme sequence indicator	•
MultiLingua	•
AutoClean detergent drawer	•
AddLoad	•
Efficiency and sustainability	
Energy efficiency class (A–G)	A
Weighted energy consumption per 100 operating cycles for the wash cycle in kWh	49
Weighted water consumption per cycle in l	48
Spin efficiency class	A
Acoustic airborne noise emission class (spin cycle)	A
Sound emissions during spin cycle in dB(A) re 1 pW	68
Duration of the “ECO 40–60” programme at nominal capacity	199
Power rating in off mode in W	0.40
Power rating in networked standby in W	0.80
EcoFeedback	•

WWI 860 WCS P Wash & TDos & 9kg

W1 front-loader washing machine:

with TwinDos and SingleWash for laundry care that saves time and energy.



EAN: 4002516257868 / Material number: 11359330 / Old Material Number: 11WI8601GB

Low temperature wash "Cold" and "20 °C"	•
Automatic load control	•
Flow meter	•
Foam sensing	•
ProfiEco motor	•
Wash programmes	
QuickPowerWash	•
Automatic plus	•
Cottons (coloureds)	•
Minimum iron	•
Delicates	•
Shirts	•
Silk (hand-washable)	•
Woolens (hand-washable)	•
Express 20	•
Dark garments / Denim	•
Outerwear	•
Proofing	•
Sportswear	•
Down duvets	•
Pillows	•
Down	•
Curtains	•
Cottons hygiene	•
Clean machine	•
Cottons Arrow	•
First wash	•
Separate rinse/Starch	•
Drain / Spin	•
ECO 40-60	•
Extras	
SingleWash	•
Short	•
Soak	•
Pre-wash	•
Water plus	•
Additional rinse cycle	•
Extra quiet	•
Pre-ironing	•
Buzzer	•
AllergoWash	•
Quality	
Suds container	Stainless Steel
Counterweights made of cast iron	•
Safety	
Safety lock	•
PIN-Code	•
Optical interface	•
Technical data	
Dimensions in mm (width)	596
Dimensions in mm (height)	850

WWI 860 WCS PWash & TDos & 9kg

W1 front-loader washing machine:

with TwinDos and SingleWash for laundry care that saves time and energy.



EAN: 4002516257868 / Material number: 11359330 / Old Material Number: 11WI8601GB

Dimensions in mm (depth)	643
Appliance depth in mm with opened door	1077
Weight in kg	94
Total rated load in kW	2.10-2.40
Voltage in V	220-240
Fuse rating in A	13
Frequency in Hz	50
Length of supply lead in m	2
Accessories supplied	
3 Caps	•
UltraPhase 1 + 2	•
Voucher for 5 Miele UltraPhase cartridges	•
Available display languages	
Available display languages through MultiLingua	bahasa malaysia, deutsch, english (AU), english (GB), español, português, , , ,

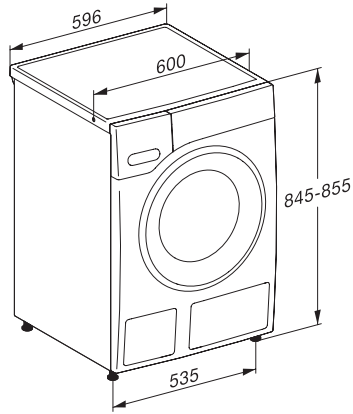
WWI 860 WCS PWash & TDos & 9kg

W1 front-loader washing machine:

with TwinDos and SingleWash for laundry care that saves time and energy.



W1 drawing, facia 5 degree, measures in mm



W1 drawing, facia 5 degree, measures in mm



W1 drawing, facia 5 degree, measures in mm



W1 drawing, facia 5 degree, measures in mm