

WWD020 WCS 8kg

W1 front-loader washing machine:

with 1–8 kg honeycomb drum and Pre-ironing for beautifully maintained laundry.



- Gentle laundry care thanks to the Miele honeycomb drum
- Ironing made simple thanks to pre-ironing with steam
- Perfect supplement for specific applications – CapDosing
- Easy fingertip operation – DirectSensor
- Economical, powerful and no wear and tear – the ProfiEco Motor



EAN: 4002516466482 / Material number: 11810620 / Old Material Number: 11WD0201GB

Construction type	
Suitable for stacking	•
Side-by-side	•
Slot-in	•
Door hinge	right
Model	
Product brand	W1 White Edition
Front-loader	•
Spinning	
Max. spin speed	1400
Rinse hold	•
Without spin function	•
Design	
Appliance colour	Lotus white
Control panel colour	Lotus white
Door design	Obsidian black with white ring
Rotary selector colour	Lotus White
Control panel version	5° incline
Control type	Rotary selector
Display	DirectSensor yellow, 7 segment
Cleaning performance	
CapDosing portioned dispensing	•
Gentle laundry care	
Honeycomb drum	•
Load in kg	8,0
User convenience	
Delay start up to 24 hours	•
Time left display	•
AutoClean detergent drawer	•
AddLoad	•
Efficiency and sustainability	
Energy efficiency class (A–G)	A
Weighted energy consumption per 100 operating cycles for the wash cycle in kWh	47
Weighted water consumption per cycle in l	47
Spin efficiency class	B
Acoustic airborne noise emission class (spin cycle)	A
Sound emissions during spin cycle in dB(A) re 1 pW	72
Duration of the "ECO 40–60" programme at nominal capacity	219
Power rating in off mode in W	0.30
Low temperature wash "Cold" and "20 °C"	•
Automatic load control	•
Foam sensing	•
ProfiEco motor	•
Wash programmes	
Cottons (coloureds)	•
Minimum iron	•
Delicates	•

WWD020 WCS 8kg

W1 front-loader washing machine:

with 1–8 kg honeycomb drum and Pre-ironing for beautifully maintained laundry.



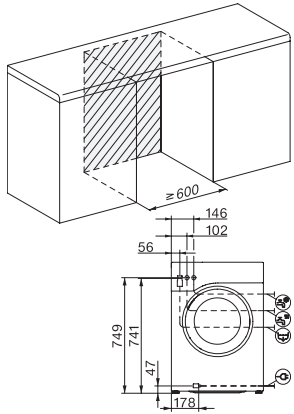
EAN: 4002516466482 / Material number: 11810620 / Old Material Number: 11WD0201GB

Shirts	•
Woolens (hand-washable)	•
Express 20	•
Dark garments / Denim	•
Outerwear	•
Proofing	•
Separate rinse/Starch	•
Drain / Spin	•
ECO 40-60	•
Extras	
Short	•
Pre-wash	•
Water plus	•
Additional rinse cycle	•
Pre-ironing	•
Quality	
Suds container	GlaronK
Safety	
PIN-Code	•
Optical interface	•
Technical data	
Dimensions in mm (width)	596
Dimensions in mm (height)	850
Dimensions in mm (depth)	643
Weight in kg	80
Total rated load in kW	2.10-2.40
Voltage in V	220-240
Fuse rating in A	13
Frequency in Hz	50

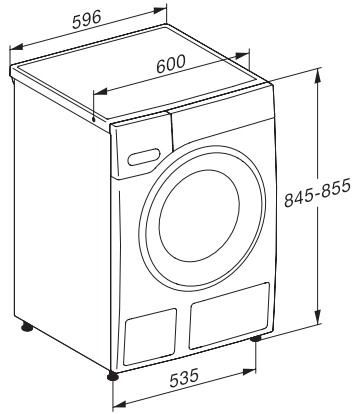
WWD020 WCS 8kg

W1 front-loader washing machine:

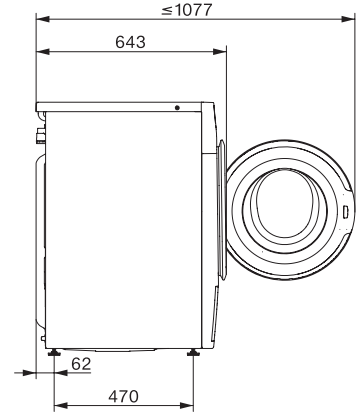
with 1–8 kg honeycomb drum and Pre-ironing for beautifully maintained laundry.



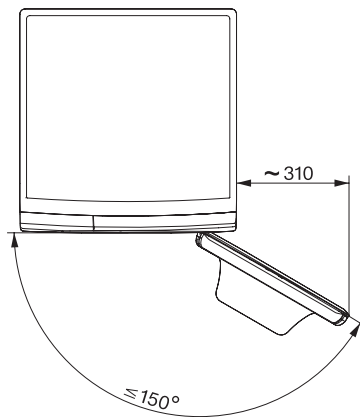
W1 drawing, facia 5 degree, measures in mm



W1 drawing, facia 5 degree, measures in mm



W1 drawing, facia 5 degree, measures in mm



W1 drawing, facia 5 degree, measures in mm