

FNS 28463 E ed/cs

Freestanding freezer

With NoFrost and IceMaker for added convenience and fresh ice cubes any time.



- No icing up of food and no need to defrost thanks to Frost free
- Fresh ice cubes from the IceMaker with fresh water connection
- Convenient LED lighting when the drawers are open



EAN: 4002515954362 / Material number: 10805070 / Old Material Number: 37284630EU1

Appliance category	
Freezer	•
Construction type	
Freestanding appliance	•
Door hinge	Left
Convertible door hinging	•
Side-by-side enabled	•
Design	
Casing colour	Stainless steel CleanSteel
Freezer compartment lighting	LED
User convenience	
Networking with Miele@home	•
Accessories required	XKS 3100 W
NoFrost	•
XL interior	•
SoftClose	•
Ice cube maker with fresh water connection (IceMaker)	•
Silence system	•
Controls	
Operating concept	FreshTouch
Independent temperature regulation of fridge and freezer zones	No
SuperFreeze	•
Sabbath mode	•
Party mode	•
Freezer/Freezer section	
Number of freezer drawers	9
Efficiency and sustainability	
Energy efficiency class (A–G)	E
Annual energy consumption in kWh	248.20
Energy consumption in 24 h in kWh	0.67
Safety	
Lock function	•
Acoustic door alarm	•
Acoustic temperature alarm	•
Optical door alarm	•
Optical temperature alarm	•
Power cut indication for freezer section	•
Technical data	
Appliance width in mm	600
Appliance height in mm	1850
Appliance depth in mm	675
Weight in kg	85.5
Climate class	SN-T
4* freezer compartment in l	277
Total usable capacity in l	277
Storage time in case of fault in h	9
Freezer capacity in kg/24 h	18.00
Noise class (A–D)	C
Sound power in dB(A) re 1 pW	37

FNS 28463 E ed/cs

Freestanding freezer

With NoFrost and IceMaker for added convenience and fresh ice cubes any time.

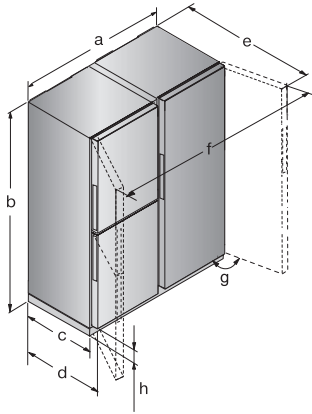


EAN: 4002515954362 / Material number: 10805070 / Old Material Number: 37284630EU1

Current consumption (mA)	1300
Voltage in V	220-240
Fuse rating in A	10
Number of phases	1
Frequency in Hz	50
Length of supply lead in m	2.2
Replacing lamps	Customer Service
Accessories supplied	
Ice packs	•

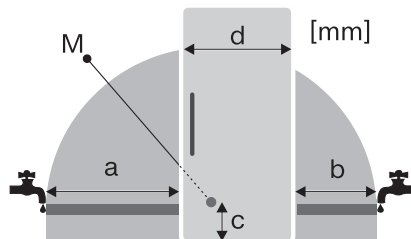
FNS 28463 E ed/cs Freestanding freezer

With NoFrost and IceMaker for added convenience and fresh ice cubes any time.



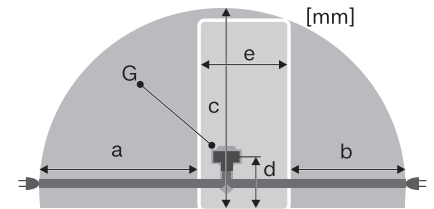
FNS28463E ed/cs, KS28463D ed/cs, KS28423D ed/cs, KS28463E ed/cs, KFNS28463E ed/cs, KWNS28462E ed/cs, *footnote

* a = 1240 mm, b = 1852 mm, c = 615 mm, d = 675 mm, e = 1195 mm, f = 1733 mm, g = 115 mm, h = 35 mm, *To ensure that energy consumption as stated is achieved, machines should be used together with the enclosed spacer brackets. This increases the total depth of the unit by approx. 1.5 cm. , Machines are still fully functional when operated without these brackets but have a slightly higher energy consumption.



K28463D ed/cs, KFN29233D edt/cs, FNS28463E ed/cs, KWNS28462E ed/cs, KFNS28463E ed/cs, *footnote

a = 1100 mm, b = 700 mm, c = 110 mm, d = 600 mm, M magnetic valve, *To ensure that energy consumption as stated is achieved, machines should be used together with the enclosed spacer brackets. This increases the total depth of the unit by approx. 1.5 cm. , Machines are still fully functional when operated without these brackets but have a slightly higher energy consumption.



KS28423D ed/cs, KS28463D ed/cs, KFN29493DE edt/cs, FNS28463E ed/cs, KWNS28462E ed/cs, KFNS28463E ed/cs, *footnote

* a = 1800 mm, b = 1400 mm, c = 2100 mm, d = 200 mm, e = 600, G appliance inlet, *To ensure that energy consumption as stated is achieved, machines should be used together with the enclosed spacer brackets. This increases the total depth of the unit by approx. 1.5 cm. , Machines are still fully functional when operated without these brackets but have a slightly higher energy consumption.