

KFN 29493 DE edtcs
 Freestanding fridge-freezer
 With My Ice, DailyFresh and FlexiLight for maximum convenience.



- Large capacity drawer with adjustable moisture – DailyFresh
- Individually adjustable glass shelf lighting thanks to FlexiLight
- No icing up of food and no need to defrost thanks to Frost free
- Fresh ice cubes with My Ice, the IceMaker with water container



EAN: 4002515954386 / Material number: 10805150 / Old Material Number: 38294930EU1

Appliance category	
Fridge-freezer	•
Construction type	
Freestanding appliance	•
Door hinge	right
Convertible door hinging	•
Design	
Casing colour	Stainless steel look
Front colour	Stainless steel/CleanSteel
Refrigeration section lighting	FlexiLight
User convenience	
Networking with Miele@home	•
Accessories required	XKS 3100 W
ComfortClean	•
DynaCool	•
NoFrost	•
DuplexCool	•
XL interior	•
SoftClose	•
SelfClose	•
Ice cube maker with water container (Mylce)	•
Concealed door opener	Click2open
Silence system	•
Controls	
Operating concept	FreshTouch
Fridge compartment can be switched off	Yes
Independent temperature regulation of fridge and freezer zones	No
Automatic SuperCool	•
SuperFreeze	•
No. of temperature zones	2
Sabbath mode	•
Party mode	•
Holiday mode	•
Fridge/Fridge section	
No. of shelves	3
of which illuminated	2
Chrome-plated metal bottle rack	•
No. of crisper drawers	1
CompactCase	•
Number of inner door racks for tinned food	3
Door rack for bottles	1
Door shelves	4
Freezer/Freezer section	
Number of freezer drawers	4
Efficiency and sustainability	
Energy efficiency class (A–G)	D
Annual energy consumption in kWh	203.67
Energy consumption in 24 h in kWh	0.55

KFN 29493 DE edtcs

Freestanding fridge-freezer

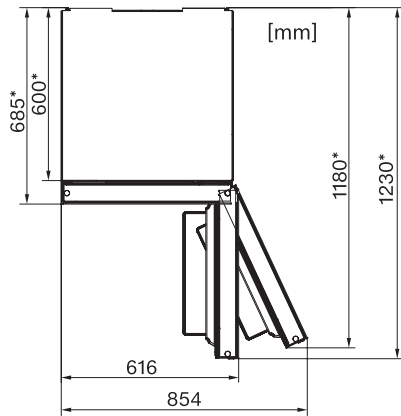
With My Ice, DailyFresh and FlexiLight for maximum convenience.



EAN: 4002515954386 / Material number: 10805150 / Old Material Number: 38294930EU1

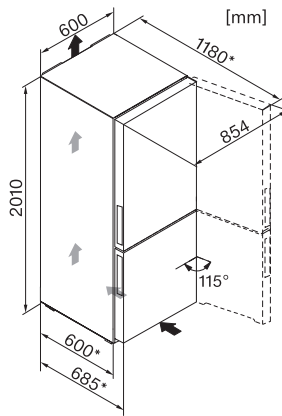
Safety	
Lock function	•
Acoustic door alarm	•
Acoustic temperature alarm	•
Optical door alarm	•
Optical temperature alarm	•
Power cut indication for freezer section	•
Technical data	
Appliance width in mm	600
Appliance height in mm	2010
Appliance depth in mm	675
Weight in kg	87.5
Climate class	SN-T
Refrigerator compartment in l	262
4* freezer compartment in l	104
Total usable capacity in l	366
Storage time in case of fault in h	16
Freezer capacity in kg/24 h	9.00
Noise class (A-D)	C
Sound power in dB(A) re 1 pW	36
Current consumption (mA)	1400
Voltage in V	220-240
Fuse rating in A	10
Number of phases	1
Frequency in Hz	50
Length of supply lead in m	2.2
Replacing lamps	Customer Service
Accessories supplied	
Butter dish	•
Egg tray	•
Active AirClean filter	•
Ice packs	•

KFN 29493 DE edtcs
 Freestanding fridge-freezer
 With My Ice, DailyFresh and FlexiLight for maximum convenience.



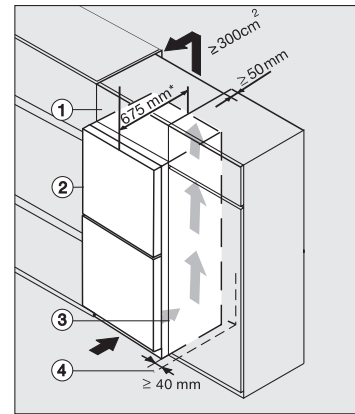
KFN29683D obsw, KFN29683D brws, KFN29233D bb, KFN29283D bb, KFN29493DE edt/cs, top view, (sketch) (*footnote)

*To ensure that energy consumption as stated is achieved, machines should be used together with the enclosed spacer brackets. This increases the total depth of the unit by approx. 1.5 cm. , Machines are still fully functional when operated without these brackets but have a slightly higher energy consumption.,



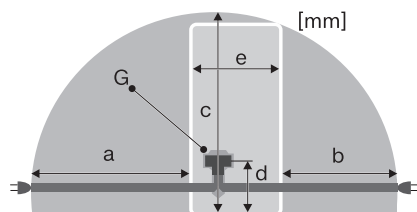
KFN29683D obsw, KFN29683D brws, KFN29233D bb, KFN29283D bb, KFN29493DE edt/cs (sketch) (*footnote)

*To ensure that energy consumption as stated is achieved, machines should be used together with the enclosed spacer brackets. This increases the total depth of the unit by approx. 1.5 cm. , Machines are still fully functional when operated without these brackets but have a slightly higher energy consumption.,



KFN29233D, KFN29243D, KFN29493DE, KF29283D, KFN29283D, KFN29483D, KFNS28463E, KWNS28462E , installation draw

*To ensure that energy consumption as stated is achieved, machines should be used together with the enclosed spacer brackets. This increases the total depth of the unit by approx. 1.5 cm. , Machines are still fully functional when operated without these brackets but have a slightly higher energy consumption.



KS28423D edt/cs, KS28463D edt/cs, KFN29493DE edt/cs, FNS28463E edt/cs, KWNS28462E edt/cs, KFNS28463E edt/cs, *footnote

* a = 1800 mm, b = 1400 mm, c = 2100 mm, d = 200 mm, e = 600, G appliance inlet, *To ensure that energy consumption as stated is achieved, machines should be used together with the enclosed spacer brackets. This increases the total depth of the unit by approx. 1.5 cm. , Machines are still fully functional when operated without these brackets but have a slightly higher energy consumption.