

## KMDA 7476 FL

Induction hob with integrated vapour extraction  
with two extra large PowerFlex XL cooking areas and flush-fit vapour extraction



- Ample space – 4 large cooking zones incl. 2 PowerFlex XL areas
- Elegant design – flush fit downdraft extractor
- Automatic fan power regulation – Con@ctivity
- Compact control using the numerical display – ComfortSelect Plus
- Energy-efficient and quiet – powerful ECO motor

**A++**

EAN: 4002516451020 / Material number: 11789940 / Old Material Number: 26747672GB

<b>Heating type</b>	
Heating type on the left	Electric with induction
<b>Design</b>	
Elegant glass ceramic surface	•
Flush	•
Ceramic surface colour	Black
Frameless – surface-mounted	•
Flush fit extractor	•
<b>Cooking zone details</b>	
Number of cooking zones	4
Number of cooking areas	2
Maximum number of pans	4
<b>PowerFlex cooking zones</b>	
No.	2
Type	PowerFlex XL cooking area
Size in mm	150x230
Max. rating in W	2.10
Max. Booster power rating in W	3.00
Max. TwinBooster power rating in W	3650
<b>1st cooking zone/cooking area</b>	
Position	Left
Type	PowerFlex XL cooking area
Max. Booster power rating in W	4800
Max. rating in W	3400
<b>2nd cooking zone/cooking area</b>	
Position	right
Type	PowerFlex XL cooking area
Size in mm	230 x 460
Max. Booster power rating in W	4800
Max. rating in W	3400
Max. TwinBooster power rating in W	7300
<b>User convenience</b>	
Miele@home	•
Operation via sensor controls	ComfortSelect Plus
Automatic function Con@ctivity	•
Digital power level display	•
Display colour	Yellow
Auto heat-up	•
Permanent pan recognition	•
Keeping warm	•
Stop & Go function	•
Recall function	•
Minute minder	•
Safety switch-off	•
Individual setting options (e.g. buzzers)	•
Active charcoal filter saturation indicator	•
Run-on time 5/15 min.	•
Grease filter saturation indicator	•
<b>Efficiency and sustainability</b>	
Energy efficiency class (A+++ to D)	A++

## KMDA 7476 FL

Induction hob with integrated vapour extraction

with two extra large PowerFlex XL cooking areas and flush-fit vapour extraction



EAN: 4002516451020 / Material number: 11789940 / Old Material Number: 26747672GB

Annual energy consumption in kWh/year	27.6
Fluid dynamic efficiency class	A
Lighting efficiency class	-
Grease filtering efficiency class	A
ECO motor	•
<b>Cleaning convenience</b>	
Easy to clean ceramic glass	•
Easy-to-clean canopy interior – CleanCover	•
Wipe protection	•
<b>Filter system</b>	
Number of dishwasher-safe stainless steel grease filters (10-ply)	1
<b>Extraction</b>	
Air throughput in Booster level (m <sup>3</sup> /h) according to EN 61591	580
Sound power in Booster level (dB(A) re 1 pW) acc. to EN 60704-3	73.0
Sound pressure in Booster level (dB(A) re 20 µPa) acc. to EN 60704-2-13	60.0
<b>Recirculation</b>	
Air throughput in Booster level (m <sup>3</sup> /h) according to EN 61591	510
Sound power in Booster level (dB(A) re 1 pW) acc. to EN 60704-3	76.0
Sound pressure in Booster level (dB(A) re 20 µPa) acc. to EN 60704-2-13	62.0
<b>Safety</b>	
Safety switch-off	•
Lock function	•
System lock	•
Integrated cooling fan	•
Overheating protection	•
Residual heat indicator	•
<b>Technical data</b>	
Dimensions in mm (width)	800
Dimensions in mm (height)	200
Dimensions in mm (depth)	520
Cutout dimensions in mm (width) with surface-mounted installation	780
Casing height incl. connection box in mm	200
Cutout dimensions in mm (depth) with surface-mounted installation	500
Internal cutout dimensions in mm (width) with flush installation	780
Internal cutout dimensions in mm (depth) with flush installation	500
Weight in kg	20
External cutout dimensions in mm (width) with flush installation	804
External cutout dimensions in mm (depth) with flush installation	524
Total rated load in kW	7.50
Voltage in V	230

KMDA 7476 FL

Induction hob with integrated vapour extraction  
with two extra large PowerFlex XL cooking areas and flush-fit vapour extraction



EAN: 4002516451020 / Material number: 11789940 / Old Material Number: 26747672GB

Frequency in Hz	50-60
-----------------	-------

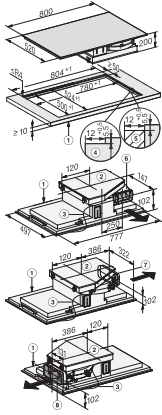
Length of supply lead in m	1
----------------------------	---

<b>Accessories supplied</b>	
-----------------------------	--

Number of mains cables with plug	Yes
----------------------------------	-----

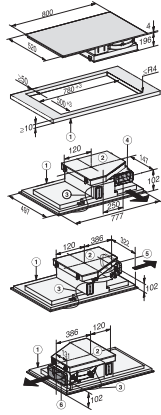
## KMDA 7476 FL

Induction hob with integrated vapour extraction  
with two extra large PowerFlex XL cooking areas and flush-fit vapour extraction



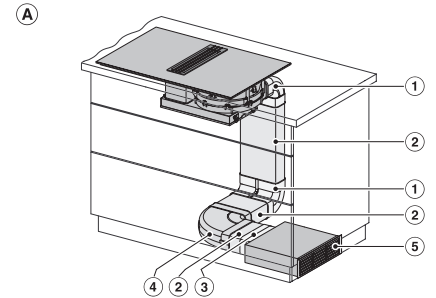
KMDA 7633 FL, KMDA 7634 FL, KMDA 7476 FL – flush (Installation drawing)

- 1) Front, 2) The removable drip tray must be accessible after installation. , 3) Mains connection box with mains connection cable, L = 1440 mm, 4) Stepped cut-out, 5) Wooden support frame (not supplied with the appliance), 6) Duct connection at rear >220-222 x 89-90 / R1-R19 (machine delivered with this option), 7) Duct connection to the right >220-222 x 89-90 / R1-R19 (requires conversion), 8) Duct connection to the left >220-222 x 89-90 / R1-R19 (requires conversion)



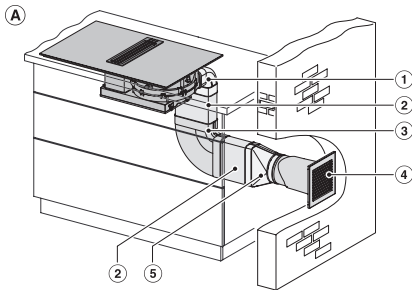
KMDA 7633 FL, KMDA 7634 FL, KMDA 7476 FL – frameless supported (Installation drawing)

- 1) Front, 2) The removable drip tray must be accessible after installation. , 3) Mains connection box with mains connection cable, L = 1440 mm, 4) Duct connection at rear >220-222 x 89-90 / R1-R19 (machine delivered with this option), 5) Duct connection to the right >220-222 x 89-90 / R1-R19 (requires conversion), 6) Duct connection to the left >220-222 x 89-90 / R1-R19 (requires conversion)



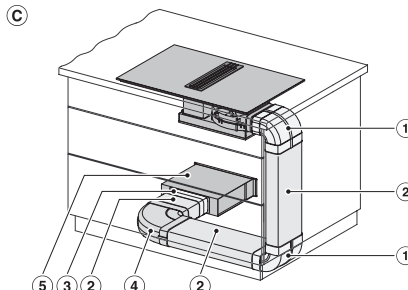
KMDA 7633, KMDA 7634, KMDA 7476 Built-in version 1 (Installation drawing)

- 1) DFK-BV 90, 2) DFK-R 1000, 3) DFK-V, 4) DFK-BH 90, 5) DUU 1000-2



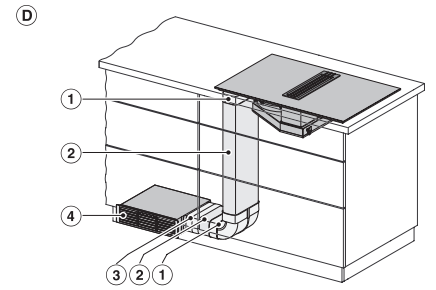
KMDA 7633 KMDA 7634, KMDA 7476 - Built-in version 6 (Installation drawing)

- 1) DFK-BV 90, 2) DFK-R 1000, 3) DFK-BH 90, 4) DMK 150-1, 5) DFK-A



KMDA 7633, KMDA 7634, KMDA 7476 - built-in version (Installation drawing)

- 1) DFK-BV 90, 2) DFK-R 1000, 3) DFK-V, 4) DFK-BH 90, 5) DUU 1000-2

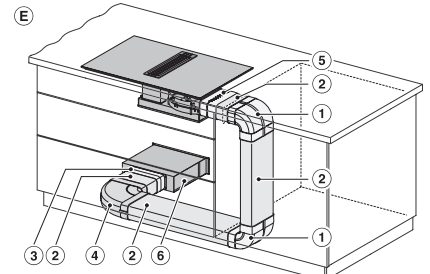
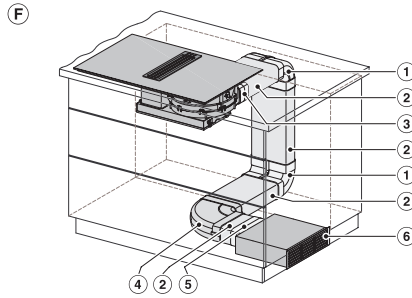
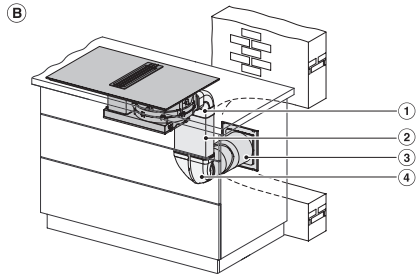


KMDA 7633, KMDA 7634, KMDA 7476 - built-in version (Installation drawing)

- 1) DFK-BV 90, 2) DFK-R 1000, 3) DFK-V, 4) DUU 1000-2

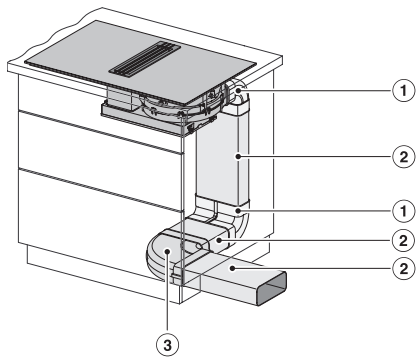
## KMDA 7476 FL

Induction hob with integrated vapour extraction  
with two extra large PowerFlex XL cooking areas and flush-fit vapour extraction



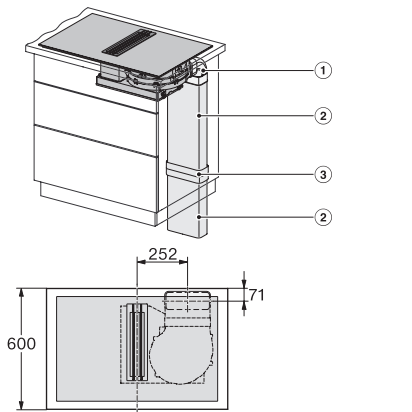
KMDA 7633, KMDA 7634, KMDA 7476 - built-in version 7 (Installation drawing)

1) DFK-BV 90, 2) DFK-R 1000, 3) DMK 150-1, 4) DFK-AK 90



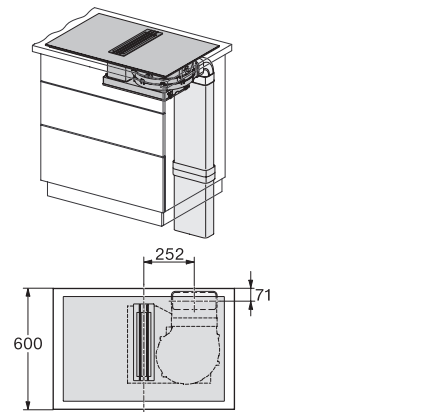
KMDA 7633, KMDA 7634, KMDA 7476 - built-in version 2 (Installation drawing)

1) DFK-BV 90, 2) DFK-R 1000, 3) DFK-L, 4) DFK-BH 90, 5) DFK-V, 6) DUU 1000-2



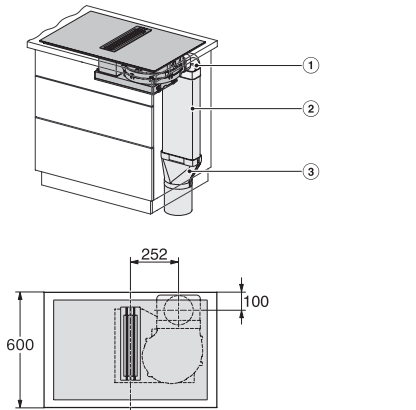
KMDA 7633, KMDA 7634, KMDA 7476 - built-in version 5 (Installation drawing)

1) DFK-BV 90, 2) DFK-R 1000, 3) DFK-V, 4) DFK-BH 90, 5) DFK-L, 6) DUU 1000-2



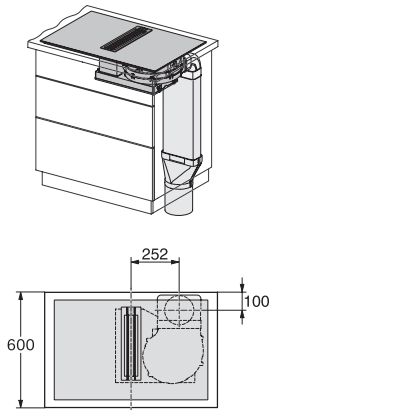
KMDA 7633, KMDA 7634, KMDA 7476 - built-in version 8 (Installation drawing)

1) DFK-BV 90, 2) DFK-R 1000, 3) DFK-BH 90



KMDA 7633, KMDA 7634, KMDA 7476 - built-in version 10 (Installation drawing)

1) DFK-BV 90, 2) DFK-R 1000, 3) DFK-V



KMDA 7633, KMDA 7634, KMDA 7476 - built-in version 10 (Installation drawing)

KMDA 7633, KMDA 7634, KMDA 7476 - built-in version 11 (Installation drawing)

1) DFK-BV 90, 2) DFK-R 1000, 3) DFK-V

KMDA 7633, KMDA 7634, KMDA 7476 - built-in version 11 (Installation drawing)