

KM 7262 FR

Induction hob with onset controls

with cooking/extended zone at an attractive entry-level price



- Easy operation – EasySelect
- 4 round cooking zones and one cooking/extended zone
- A width of 614 mm with stainless steel frame for surface installation
- Shortest heating-up times – TwinBooster

EAN: 4002516149231 / Material number: 11144010 / Old Material Number: 26726210GB

| | |
|--------------------------------------|-------------------|
| Heating type | |
| Heating type | Induction |
| Construction type | |
| Independent of cooker | • |
| Design | |
| Elegant glass ceramic surface | • |
| Ceramic surface colour | Black |
| Stainless steel frame | • |
| Surface-mounted installation | • |
| Cooking zone details | |
| Number of cooking zones | 4 |
| Number of cooking areas | 0 |
| Maximum number of pans | 4 |
| 1st cooking zone/cooking area | |
| Position | front left |
| Type | Dual-circuit ring |
| Max. Booster power rating in W | 3000 |
| Max. rating in W | 2300 |
| 2nd cooking zone/cooking area | |
| Position | rear left |
| Type | Dual-circuit ring |
| Size in mm | 100-160 mm |
| Max. Booster power rating in W | 1700 |
| Max. rating in W | 1400 |
| Max. TwinBooster power rating in W | 2200 |
| 3rd cooking zone/cooking area | |
| Position | rear right |
| Type | Casserole area |
| Size in mm | 190/290 |
| Max. Booster power rating in W | 3000 |
| Max. rating in W | 2100 |
| Max. TwinBooster power rating in W | 3650 |
| 4th cooking zone/cooking area | |
| Position | front right |
| Type | Dual-circuit ring |
| Size in mm | Ø 140-190 |
| Max. Booster power rating in W | 2500 |
| Max. rating in W | 1850 |
| Max. TwinBooster power rating in W | 3000 |
| User convenience | |
| Operation via sensor controls | EasySelect |
| Pan and pan size recognition | • |
| Display colour | Yellow |
| Auto heat-up | • |
| Permanent pan recognition | • |
| Keeping warm | • |
| Stop & Go function | • |
| Recall function | • |
| Minute minder | • |
| Safety switch-off | • |

KM 7262 FR

Induction hob with onset controls

with cooking/extended zone at an attractive entry-level price



EAN: 4002516149231 / Material number: 11144010 / Old Material Number: 26726210GB

Individual setting options (e.g. buzzers) •

Cleaning convenience

Easy to clean ceramic glass •

Safety

Safety switch-off •

Lock function •

System lock •

Integrated cooling fan •

Overheating protection •

Residual heat indicator •

Technical data

Dimensions in mm (width) 614

Dimensions in mm (height) 51

Dimensions in mm (depth) 514

Cutout dimensions in mm (width) with surface-mounted installation 600

Casing height incl. connection box in mm 48

Cutout dimensions in mm (depth) with surface-mounted installation 500

Weight in kg 10

Total rated load in kW 7.30

Length of supply lead in m 1.4

Voltage in V 230

Frequency in Hz 50-60

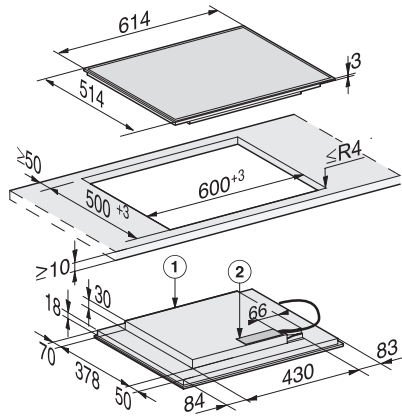
Accessories supplied

Number of mains cables with plug Yes

KM 7262 FR

Induction hob with onset controls

with cooking/extended zone at an attractive entry-level price



KM 7262 FR (installation drawing)

1) Front, 2) Mains connection box. Mains connection cable
L = 1440 mm, supplied loose