

M 2240 SC

Built-in microwave oven

with sensor controls on the side for convenient operation.



- 7-segment display with sensor controls – EasySensor
- Perfect defrosting and cooking – Automatic programmes
- Food remains at serving temperature – keeping warm function
- Compact – 26 l oven compartment volume

EAN: 4002516103332 / Material number: 11093910 / Old Material Number: 24224020GB

Construction type and design	
Built-in microwave oven	•
SideControl	•
Appliance Colour	Obsidian black
Convenience features	
Keeping warm	•
Operating modes	
Automatic programmes	•
Microwave solo operation	•
User convenience	
Display	EasySensor
Timer functions	•
Time of day display	•
Minute minder	•
Programmable cooking duration	•
Quick microwave	•
Individual settings	•
Efficiency and sustainability	
Night dimming	•
Cleaning convenience	
Stainless steel oven compartment	•
Safety	
System lock	•
Safety switch-off	•
Safety lock "Door" warning	•
Technical data	
Oven compartment volume in l	26
Door hinge	Left
Oven light	1 LED spot
Oven interior height in cm	20.7
Turntable diameter in cm	32.5
Electronically controlled microwave power	•
Microwave power levels in W	
Maximum microwave power in W	900
Niche width min. in mm	562
Niche width max. in mm	568
Niche height min. in mm	450
Niche height max. in mm	452
Niche depth in mm	550
Appliance width in mm	595
Appliance height in mm	452
Appliance depth in mm	401
Weight in kg	18.0
Niche-independent venting	•
Total rated load in kW	1.4
Voltage in V	220-240
Frequency in Hz	50
Number of phases	1
Fuse rating in A	13
Mains cable with plug	•

M 2240 SC

Built-in microwave oven

with sensor controls on the side for convenient operation.



EAN: 4002516103332 / Material number: 11093910 / Old Material Number: 24224020GB

Length of supply lead in m

1.60

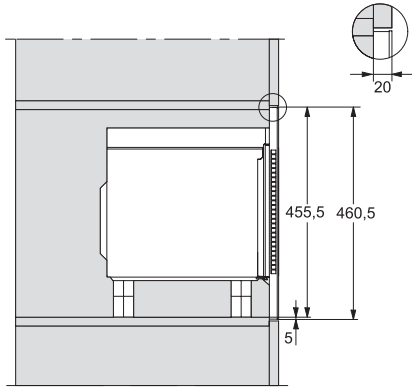
Replacing lamps

Kundendienst

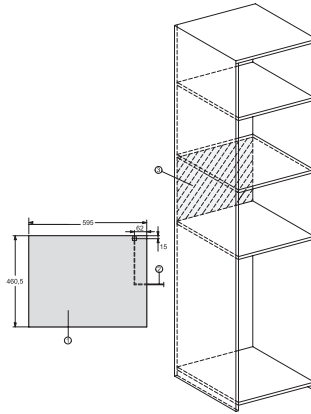
M 2240 SC

Built-in microwave oven

with sensor controls on the side for convenient operation.

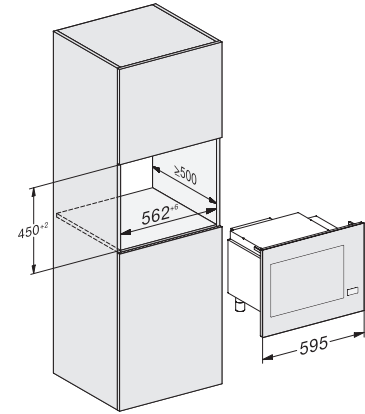


M2240SC, installation drawing



M2240SC, installation drawings

1) Front view, 2) Mains connection cable L=1,600 mm, 3)
No connection in this area



M2240SC, installation drawings