

H 7890 BP

90 cm wide oven

seamless design with food probe and BrilliantLight.



- Large touch display with movement sensor – M Touch + MotionReact
- An eye on what's cooking anywhere, any time – camera in the oven
- Minimal cleaning effort – Pyrolytic cleaning equipment & PyroFit
- Especially light dough and nicely browned crusts – Moisture plus
- Fast heating and even heat distribution – TwinPower

A

EAN: 4002516219255 / Material number: 11093840 / Old Material Number: 22789045GB

Construction type and design	
Built-in oven	•
PureLine	•
Appliance Colour	Stainless steel/Clean Steel
Convenience features	
Rapid heat-up	•
Pre-heating	•
Food probe	Without cable
Keeping warm	•
Crisp function	•
Rotisserie motor	•
Operating modes	
Defrosting	•
Automatic programmes	•
Country-specific automatic programmes	•
Auto roast	•
Eco fan heat	•
Top heat	•
Grill operating modes	•
Grill	•
Economy grill	•
Fan plus	•
Intensive bake	•
Moisture plus	•
Moisture plus with Fan plus	•
Moisture plus with Conventional heat	•
Moisture plus with Intensive bake	•
Moisture plus with Conventional heat	•
Low temperature cooking	•
Conventional heat	•
Bottom heat	•
Fan grill	•
Special applications	•
User convenience	
Networking with Miele@home	•
Display	M Touch
MotionReact: light comes on when movement is detected	•
MotionReact: display comes on when movement is detected	•
MotionReact: audible signal is acknowledged when movement is detected	•
MotionReact: detection of cabinet fronts	•
FoodView	•
SoftOpen	•
SoftClose	•
MultiLingua	•
MyMiele	•
Help function	•
Individual settings	•
3D control panel	•

H 7890 BP
90 cm wide oven
seamless design with food probe and BrilliantLight.



EAN: 4002516219255 / Material number: 11093840 / Old Material Number: 22789045GB

Programmable timed steam injection	•
Polyphonic buzzers	•
Timer functions	•
Time of day display	•
Clock synchronisation	•
Date display	•
Minute minder	•
Programmable start of cooking duration	•
Programmable end of cooking duration	•
Programmable cooking duration	•
Actual temperature display	•
Target temperature display	•
Buzzer when desired temperature is reached	•
Recommended temperature	•
User programmes	•
Sabbath programme	•
Efficiency and sustainability	
Energy efficiency class (A+++ – D)	A
Residual heat utilisation	•
Power rating in off mode in W	0.5
Power rating in standby mode in W	1.0
Power rating in networked standby in W	2.0
Time until automatic switch to standby in min	20
Time until automatic switch to networked standby in min	20
Time until automatic switch to off mode in min	20
Cleaning convenience	
Stainless steel/CleanSteel finish	•
Pyrolytic self-cleaning	•
Catalyser	•
Hinged grill element	•
CleanGlass door	•
Safety	
Appliance cooling system and touch-cool front	•
Safety switch-off	•
System lock	•
Door lock during pyrolytic cleaning	•
Sensor lock	•
Technical data	
Oven compartment volume in l	90
No. of shelf levels	3
Number of shelf levels oven compartment 1	3
Number of shelf levels oven compartment 2	3
Numbered shelf levels	•
Oven light	BrilliantLight
TwinPower hot air fan	•
Electronic temperature regulation min. in °C	30
Electronic temperature regulation max. in °C	300
Niche width min. in mm	860
Niche width max. in mm	860
Niche height min. in mm	517
Niche height max. in mm	517

H 7890 BP
90 cm wide oven
seamless design with food probe and BrilliantLight.



EAN: 4002516219255 / Material number: 11093840 / Old Material Number: 22789045GB

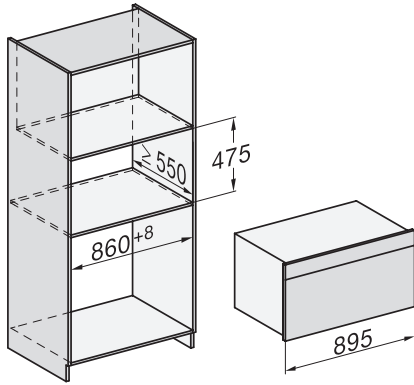
Niche depth in mm	550
Appliance width in mm	895
Appliance height in mm	478
Electronic steam oven temperature regulation min. in °C	30–300
Appliance depth in mm	568
Weight in kg	74.0
Total rated load in kW	5.60
Voltage in V	220-240
Frequency in Hz	50
Number of phases	1
Fuse rating in A	25
Length of supply lead in m	1.70
Replacing lamps	Customer Service
Accessories supplied	
Universal tray with PerfectClean	2
Baking and roasting rack PyroFit	2
PyroFit FlexiClip runners	1
Removable PyroFit side runners (pair)	1
Anti-splash insert with PerfectClean	1
Descaling tablets	2

Available display languages

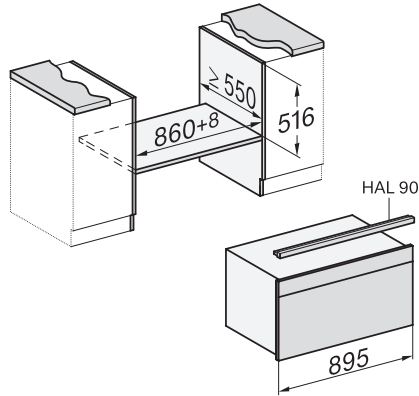
Available display languages through MultiLingua

bahasa malaysia, dansk, deutsch, english, español, français, hrvatski, italiano, magyar, nederlands, norsk, polski, português, русский, română, slovenčina, slovenščina, srpski, suomi, svenska, türkçe, українська, čeština, ελληνικά,

H 7890 BP
90 cm wide oven
seamless design with food probe and BrilliantLight.

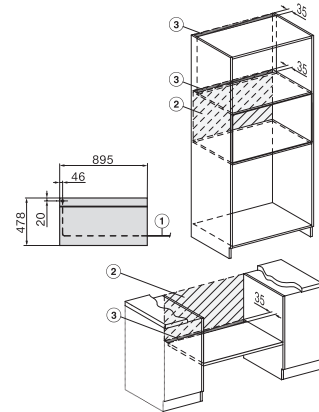


H2890B, H7890BP, installation drawings



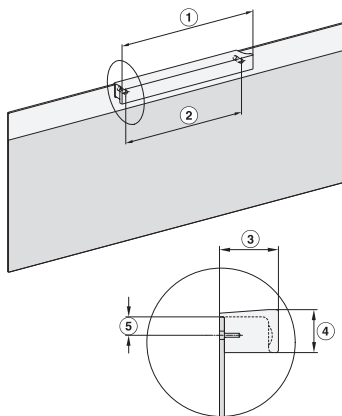
H2890B, H7890BP, installation drawings

If the oven is to be installed under a hob, follow the instructions for installing the hob and the height of the hob.



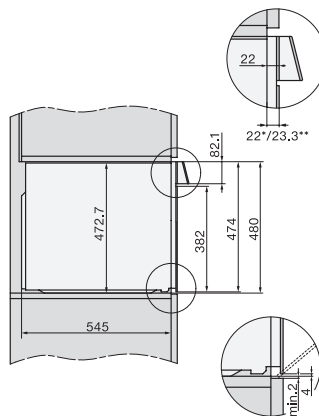
H2890B, H7890BP, installation drawings

1) Mains connection cable, L=2000 mm, 2) No connection in this area, 3) Lüftungsausschnitt min. 150 cm²



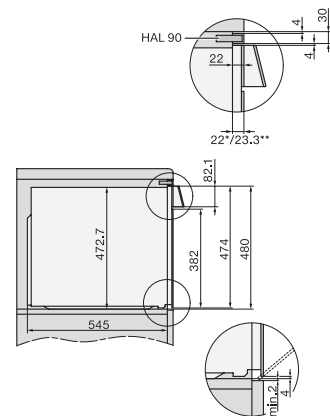
H7890BP, installation drawings

1) 350 mm, 2) 300 mm, 3) 48 mm, 4) 35 mm, 5) 16.5 mm



H7890BP, installation drawings, GB, AUS

22 mm – glass, 23,3 mm – metal



H7890BP, installation drawings, GB, AUS

22 mm – glass, 23,3 mm – metal